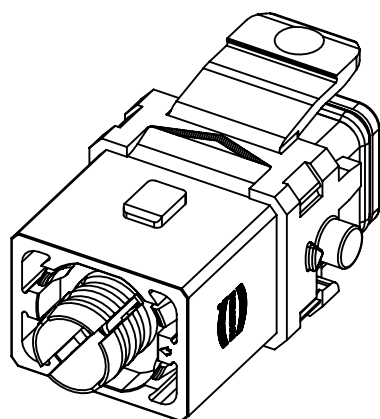


order contacts separately

wire gauge	part-no.
AWG 28-24	21 01 100 9023
AWG 26-23	21 01 100 9021



	All rights reserved Department EL PD	All Dimensions in mm Original Size DIN A4		Scale 2:1	Free size tol.		Ref. Sub.	
		Created by HOLLERT	Inspected by HERBRECHTSME	Standardisation	Date 2021-09-28	State Final Release		
HARTING D-32339 Espelkamp		Title Han 1A-M12-f X-coded, latch			Doc-Key / ECM-Nr. 100761139/UGD/001/G 500000196016			
		Type TB	Number 09 10 008 3101		Rev. G	Page 1/1		