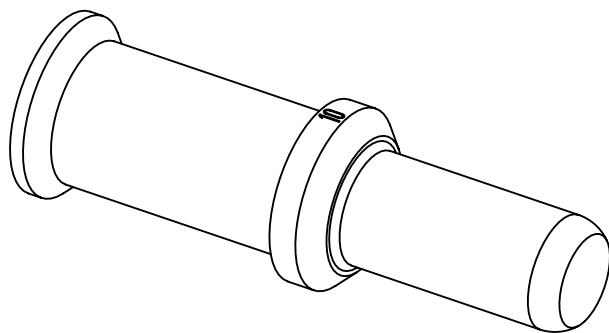


assembly notes see catalog  
 crimp zone acc. to DIN EN 46235; indicator 10  
 for stranded fine wire acc. to VDE 0295 class 5 / IEC 60228 class 5  
 wire gauge: 25mm<sup>2</sup>  
 stripping length: 19mm



	All Dimensions in mm Original Size DIN A4		Scale 2:1	Free size tol.		Ref.		
						Sub.		
	All rights reserved		Created by HELLMANN	Inspected by RIEPE	Standardisation	Date 2023-05-11	State Final Release	
	Department EL PD		Title Han TC100 Stiftkontakt 25sqmm				Doc-Key / ECM-Nr. 100150731/UGD/009/C 500000243486	
HARTING D-32339 Espelkamp			Type TB	Number 09 11 000 6125			Rev. C	Page 1/1