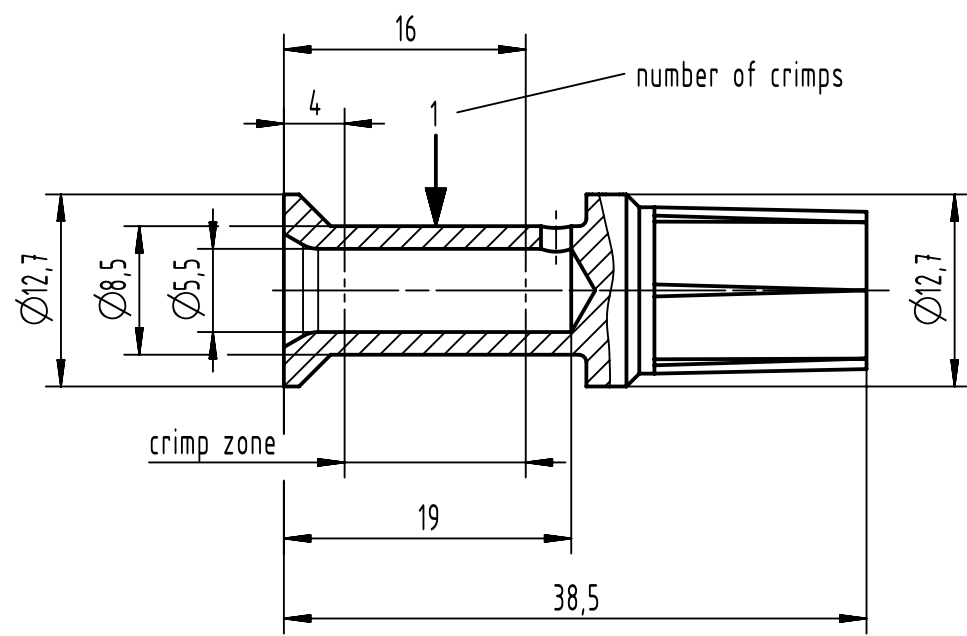


A

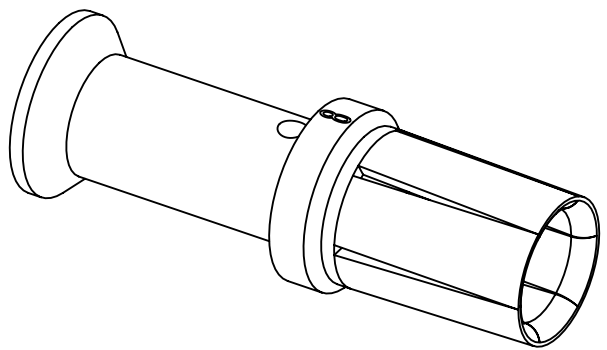
B

C

D



assembly notes see catalog  
 crimp zone acc. to DIN EN 46235 indicator 8  
 for stranded fine wire acc. to VDE 0295 class 5/ IEC 60228 class 5  
 wire gauge: 16mm<sup>2</sup>  
 stripping length: 19mm



 All rights reserved Department EL PD	All Dimensions in mm Original Size DIN A4		Scale 2:1	Free size tol.		Ref. Sub.				
	Created by HELLMANN		Inspected by NICHTERLEIN		Standardisation SAP_WFRT		Date 2022-10-11		State Final Release	
Title Han TC100 Buchsenkontakt 16sqmm			Doc-Key / ECM-Nr. 100210441/UGD/003/E 500000223389				Rev. E		Page 1/1	
HARTING D-32339 Espelkamp			Type TB		Number 09 11 000 6216					