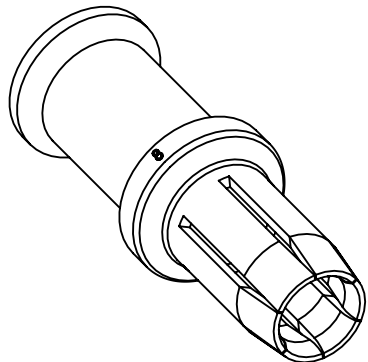



assembly notes see catalog
 crimp zone acc. to DIN EN 46235; indicator 8
 for stranded fine wire acc. to VDE 0295 class 5/IEC 60228 class 5
 wire gauge: 16mm²
 stripping length: 15,5mm



	All rights reserved Department EL PD	All Dimensions in mm Original Size DIN A4	Scale 2:1	Free size tol.	Ref.	
		HARTING D-32339 Espelkamp	Created by HELLMANN	Inspected by BERGHORN	Standardisation	Date 2023-07-19
Title Han TC70 female contact 16mm ²					Doc-Key / ECM-Nr. 100183946/UGD/005/E 500000250256	
			Type TB	Number 09 11 000 6232	Rev. E	Page 1/1