

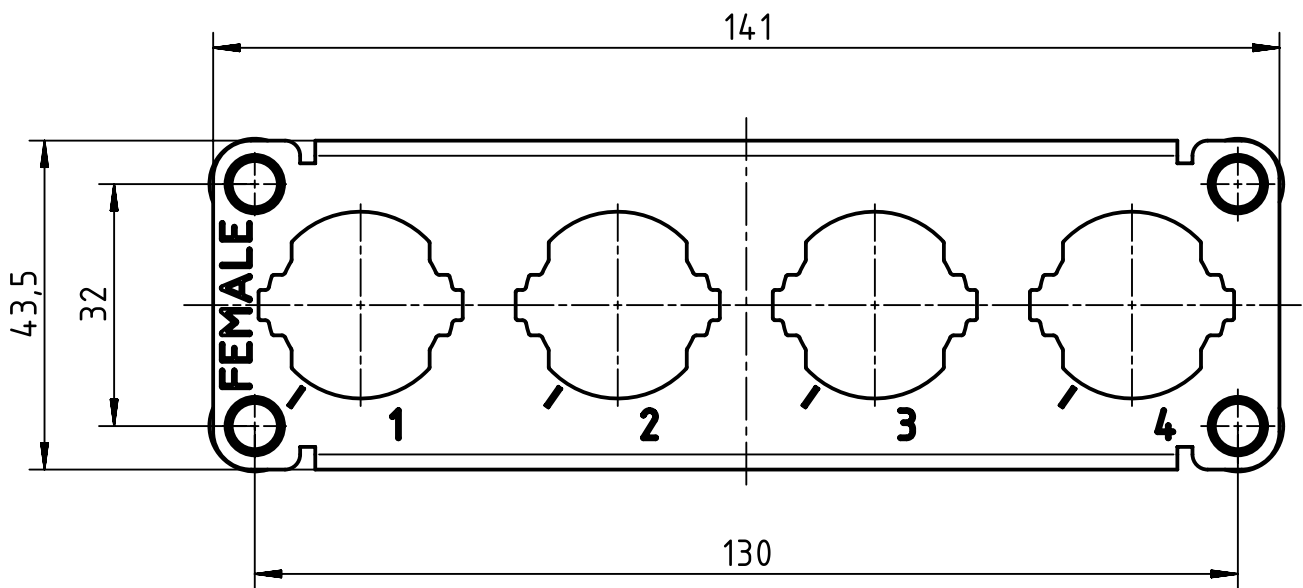
1 2 3 4 5 6

A

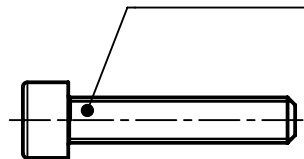
B

C

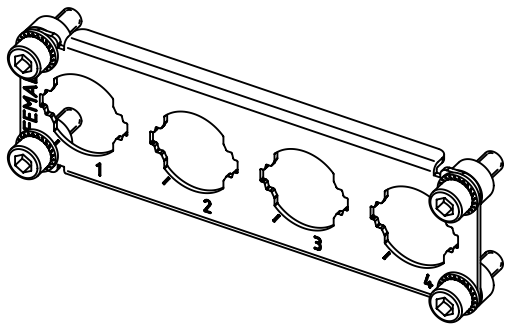
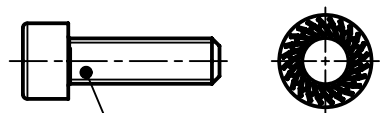
D



screw M6x30 for housings



screw M6x20 for hoods



	All Dimensions in mm Original Size DIN A4		Scale 1:1	Free size tol.		Ref.	
						Sub.	
	All rights reserved Department EL PD - DE		Created by KHOSROGORJI	Inspected by SCHNIEDER	Standardisation TIEMANNA	Date 2017-09-08	State Final Release
	HARTING Electric GmbH & Co. KG D-32339 Espelkamp		Title Frame 4xHC250-F enlarged			Doc-Key / ECM-Nr. 100587191/UGD/001/B 500000124850	
			Type TB	Number 09 11 000 9928		Rev. B	Page 1/1