

Frame 4xHC250-F enlarged

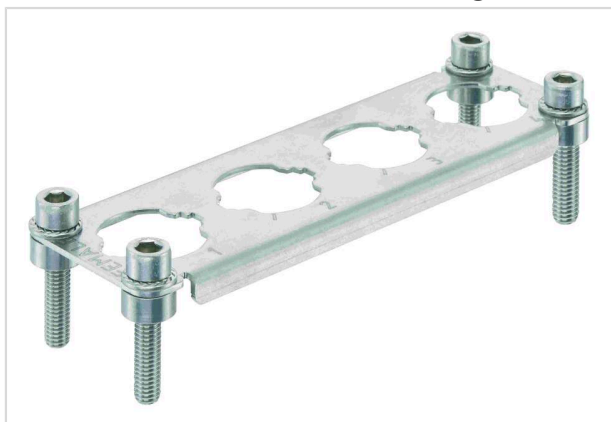


Image is for illustration purposes only. Please refer to product description.

Part number	09 11 000 9928
Specification	Frame 4xHC250-F enlarged
HARTING eCatalogue	https://b2b.harting.com/09110009928

Identification

Category	Accessories
Series of hoods/housings	Han [®] HPR enlarged
Type of accessory	Frame
Description of the accessory	for female inserts 4x Han [®] HC Modular 250

Version

Size	24 HPR enlarged
Pack contents	4x cheese-head screw M6 x 20 4x cheese-head screw M6 x 25 4x washer SK S6

Technical characteristics

Tightening torque	10 Nm Fixing screws M6
-------------------	------------------------

Material properties

Material (accessories)	Stainless steel
RoHS	compliant
ELV status	compliant
China RoHS	e
REACH Annex XVII substances	Not contained
REACH ANNEX XIV substances	Not contained
REACH SVHC substances	Not contained
California Proposition 65 substances	Yes



Pushing Performance
Since 1945

Material properties

California Proposition 65 substances	Nickel
--------------------------------------	--------

Commercial data

Packaging size	1
Net weight	138 g
Country of origin	Germany
European customs tariff number	85389099
GTIN	5713140015661
ETIM	EC002310
eCl@ss	27440210 Fixing element for industrial connectors