

## Frame 3xHC250-M enlarged

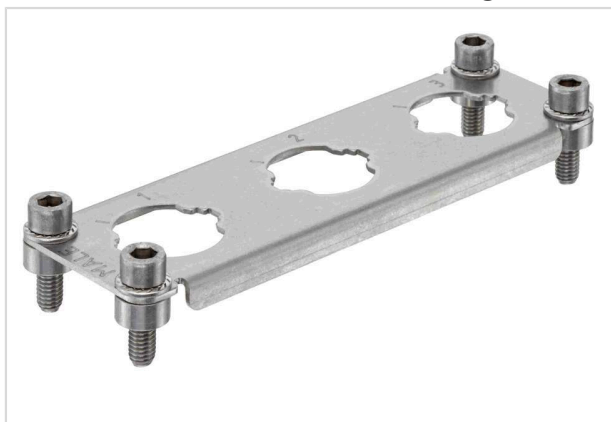


Image is for illustration purposes only. Please refer to product description.

Part number	09 11 000 9931
Specification	Frame 3xHC250-M enlarged
HARTING eCatalogue	<a href="https://b2b.harting.com/09110009931">https://b2b.harting.com/09110009931</a>

### Identification

Category	Accessories
Series of hoods/housings	Han <sup>®</sup> HPR enlarged
Type of accessory	Frame
Description of the accessory	for male inserts 3x Han <sup>®</sup> HC Modular 250

### Version

Size	24 HPR enlarged
Pack contents	4x cheese-head screw M6 x 20 4x cheese-head screw M6 x 30 4x washer SK S6

### Technical characteristics

Tightening torque	10 Nm Fixing screws M6
-------------------	------------------------

### Material properties

Material (accessories)	Stainless steel
RoHS	compliant
ELV status	compliant
China RoHS	e
REACH Annex XVII substances	Not contained
REACH ANNEX XIV substances	Not contained
REACH SVHC substances	Not contained
California Proposition 65 substances	Yes



**Pushing Performance**  
Since 1945

## Material properties

California Proposition 65 substances	Nickel
--------------------------------------	--------

## Commercial data

Packaging size	1
Net weight	145 g
Country of origin	Germany
European customs tariff number	85389099
GTIN	5713140015678
ETIM	EC002310
eCl@ss	27440210 Fixing element for industrial connectors