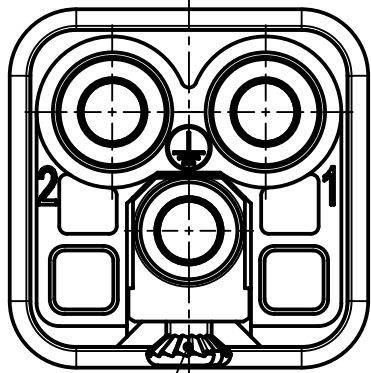


A

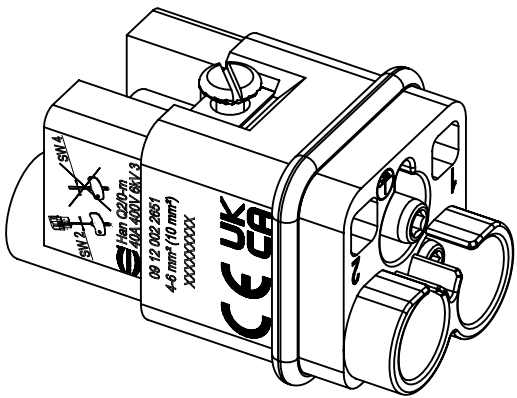
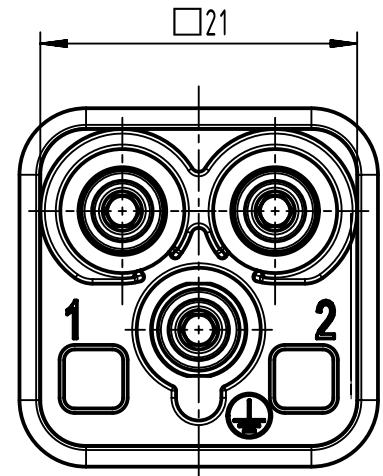
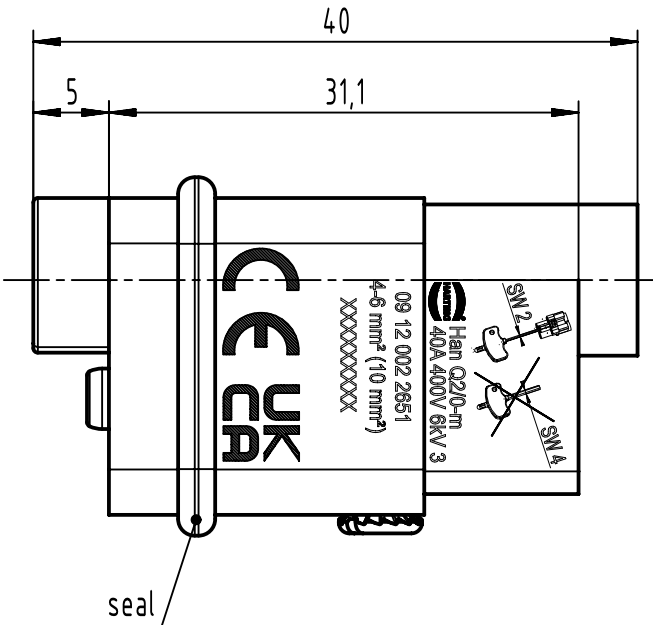
B

C

D



insert fixing screw M3x6 enclosed separately



	All Dimensions in mm Original Size DIN A4		Scale 2:1	Free size tol.		Ref.
	All rights reserved Department EL PD		Created by 100887	Inspected by SUNDERMEIER	Standardisation	Sub.
HARTING D-32339 Espelkamp			Title Han Q 2/0-sti 4-10 mm ²			Date 2022-10-28
			Type TB Number 09 12 002 2651		State Final Release	Doc-Key / ECM-Nr. 100123821/UGD/007/B 500000225850
					Rev. B	Page 1/1