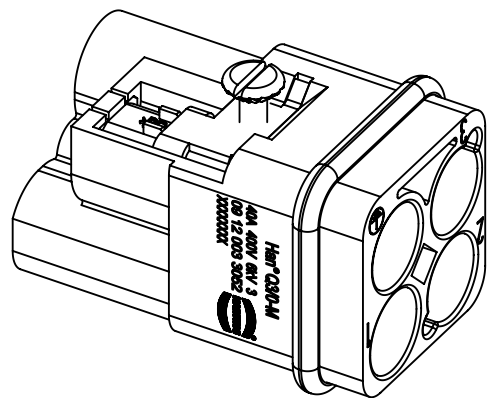
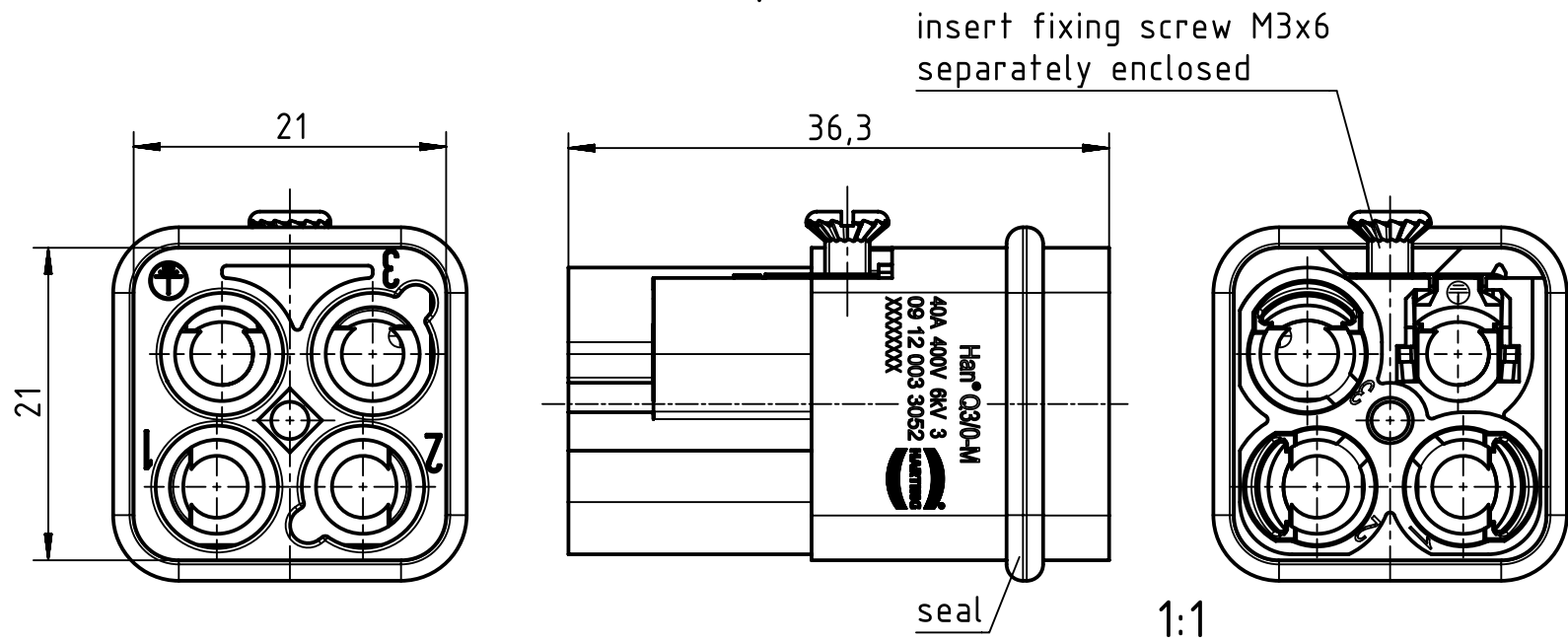


1 2 3 4 5 6

A
B
C
D



stripping length 10 mm² (AWG 8) = 12 mm

	All Dimensions in mm Original Size DIN A4		Scale 2:1	Free size tol.		Ref.
			Created by HELLMANN	Inspected by RIEPE	Standardisation RUETERA	Sub.
All rights reserved Department EL PD		HARTING Electric GmbH & Co. KG D-32339 Espelkamp		Title Han Q3/0-m-crimp HV	Date 2019-04-18	State Final Release
				Type TB	Number 09 12 003 3052	Doc-Key / ECM-Nr. 100755287/UGD/002/B 500000150131
					Rev. B	Page 1/1