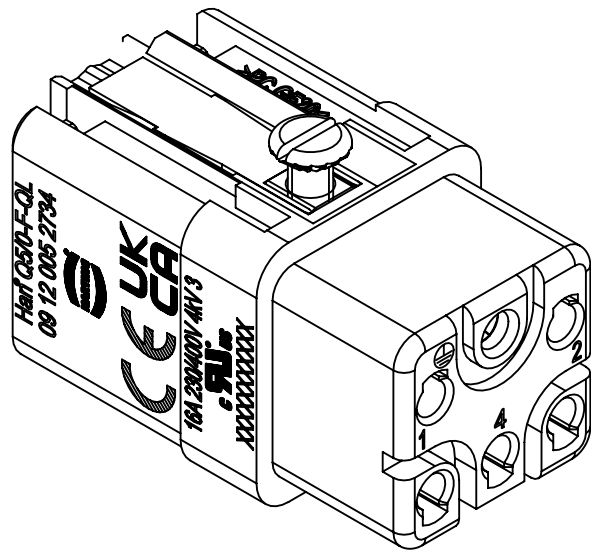
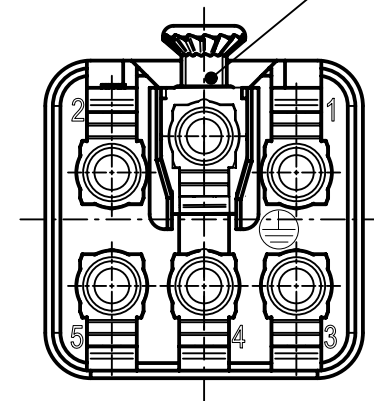


insert fixing screw M3x6
separately enclosed



	All rights reserved Department EL PD	All Dimensions in mm Original Size DIN A4		Scale 2:1	Free size tol.	Ref. Sub.
		Created by BALSAN	Inspected by 408654	Standardisation	Date 2023-07-04	State Final Release
HARTING D-32339 Espelkamp		Title Han Q5/0 Insert female quick lock 1,5mm ²			Doc-Key / ECM-Nr. 10021604.7/UGD/002/G 500000248976	
		Type TB	Number 09 12 005 2734		Rev. G	Page 1/1