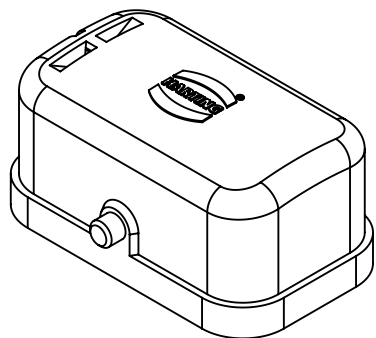



for housings with male insert



	All rights reserved Department EL PD	All Dimensions in mm Original Size DIN A4		Scale 2:1	Free size tol.	Ref. Sub. 09 12 008 5407 f. 2010-04-06	
		HARTING Electric GmbH & Co. KG D-32339 Espelkamp	Created by RULLKOETTER	Inspected by BERGHORN	Standardisation TIEMANNA	Date 2019-06-12	State Final Release
Title Han Q 8/0 ABDECKKAPPE						Doc-Key / ECM-Nr. 100830774/UGD/001/A 500000151479	
Type TB				Number 09 12 008 5407		Rev. A	Page 1/1