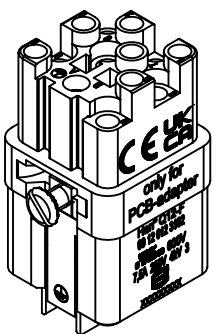
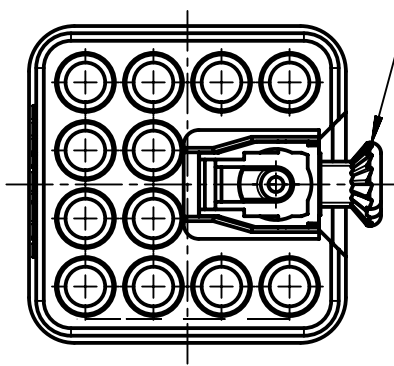
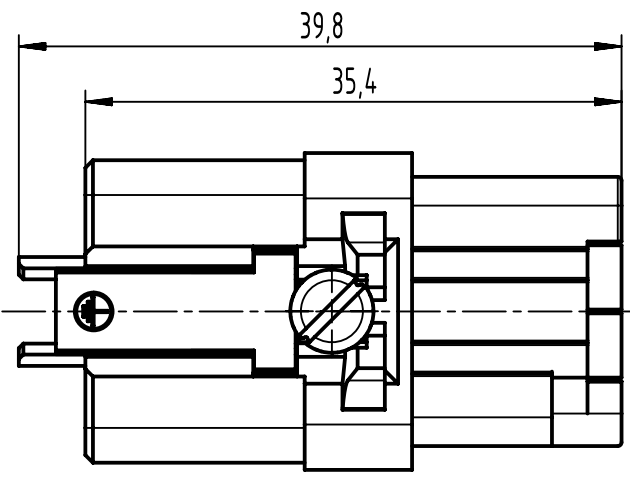
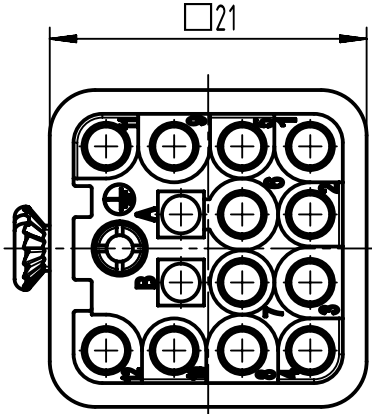
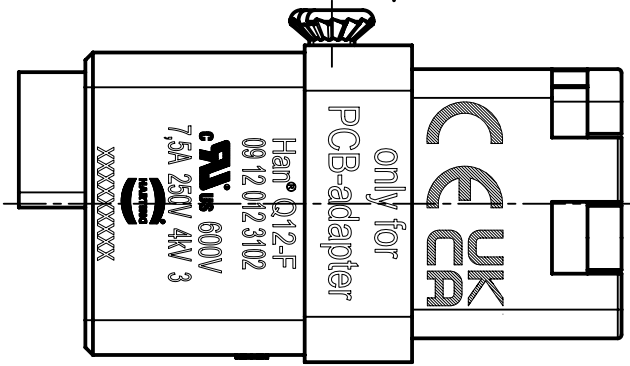


A

B

C

D



	All Dimensions in mm Original Size DIN A4	Scale 2:1		Free size tol.		Ref.	
		Created by 100887		Inspected by SUNDERMEIER	Standardisation	Date 2022-10-28	State Final Release
	All rights reserved Department EL PD	Title Han Q12-F for PCB-Adapter				Doc-Key / ECM-Nr. 100185042/UGD/005/B 500000225850	
		HARTING D-32339 Espelkamp	Type TB	Number 09 12 012 3102			Rev. B