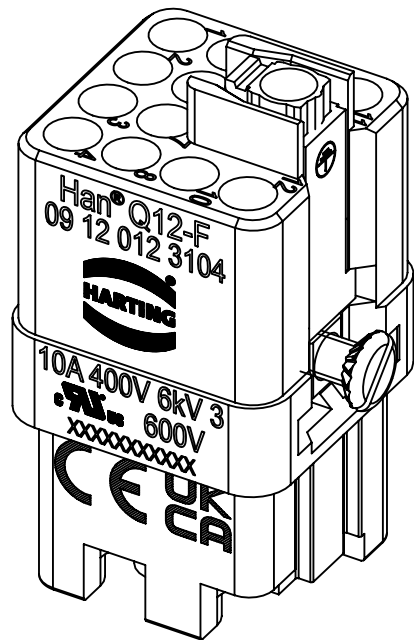
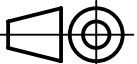



enclosed  
separately



 All Dimensions in mm Original Size DIN A4	Scale	Free size tol.		Ref.	
	2:1			Sub.	
 All rights reserved Department EL PD	Created by	Inspected by	Standardisation	Date	State
	404270	PRIESTER		2024-02-13	Final Release
HARTING D-32339 Espelkamp	Title			Doc-Key / ECM-Nr.	
	Han Q12-F-QL 1,5mm <sup>2</sup>			100216021/UGD/002/F 500000263633	
Type		Number		Rev.	Page
TB		09 12 012 3104		F	1/1