

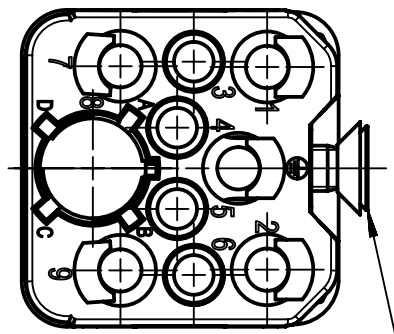
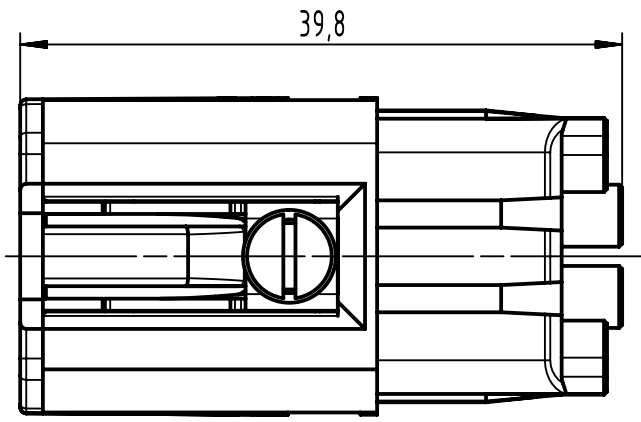
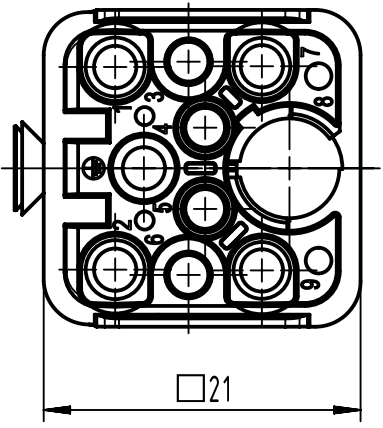
1 2 3 4 5 6

A

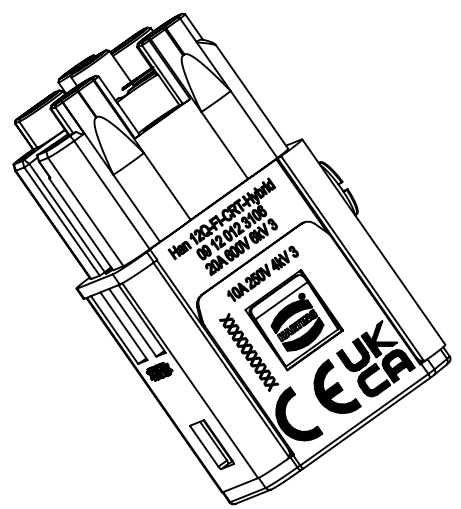
B

C

D



enclosed separately



	All Dimensions in mm Original Size DIN A4	Scale	Free size tol.		Ref.	
		2:1			Sub.	
	All rights reserved Department EL PD	Created by	Inspected by	Standardisation	Date	State
		HUK	WANGSTE	RUETERA	2022-07-04	Final Release
HARTING D-32339 Espelkamp		Title			Doc-Key / ECM-Nr.	
		Han 12Q-FI-CRT - Hybrid			100964218/UGD/001/B 500000220054	
		Type	Number		Rev.	Page
		TB	09 12 012 3106		B	1/1