

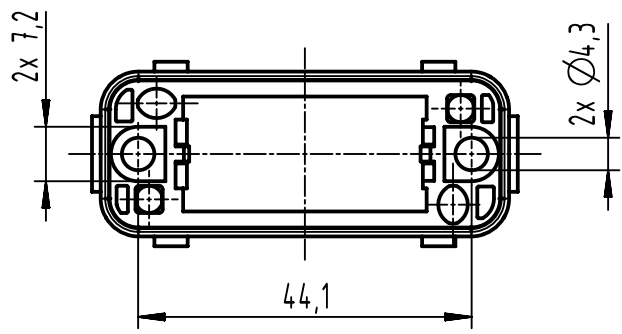
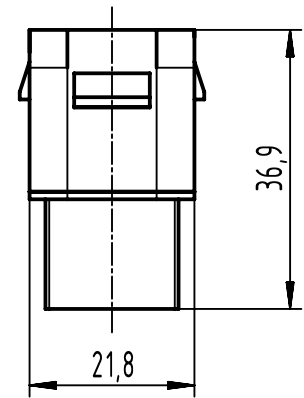
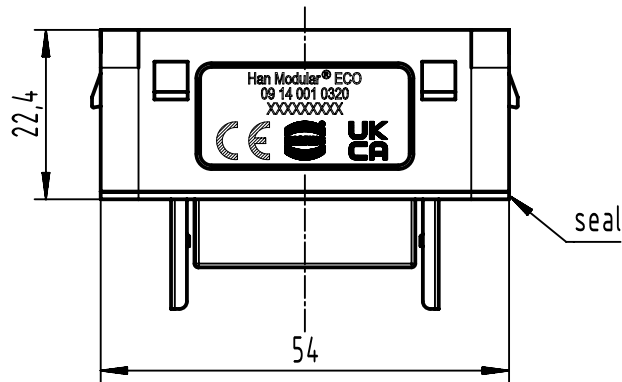
1 2 3 4 5 6

A

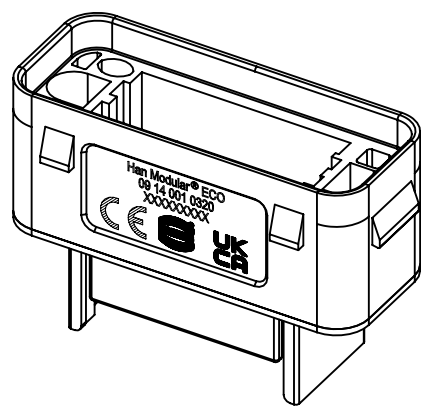
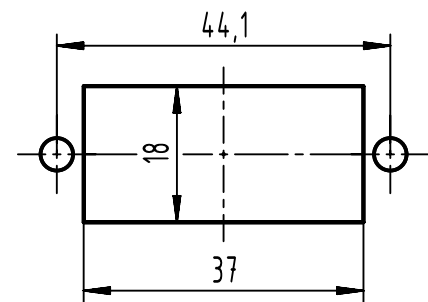
B

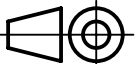

C

D



panel cut out



 All Dimensions in mm Original Size DIN A4		Scale 1:1	Free size tol.		Ref. Sub. TB 09 14 001 0320 v. 08.05.09
	All rights reserved	Created by SPRENB	Inspected by SUNDERMEIER	Standardisation	Date 2021-10-14
	Department EL PD	Title Han-Modular ECO agg IP65 (without PE)			State Final Release
HARTING D-32339 Espelkamp		Type TB	Number 09 14 001 0320		Doc-Key / ECM-Nr. 100169987/UGD/008/A 500000203857
				Rev. A	Page 1/1