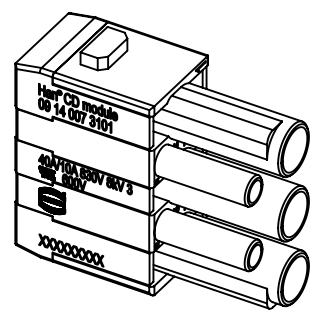
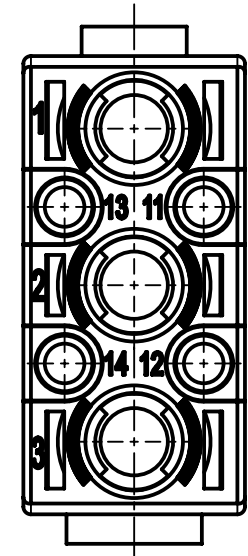
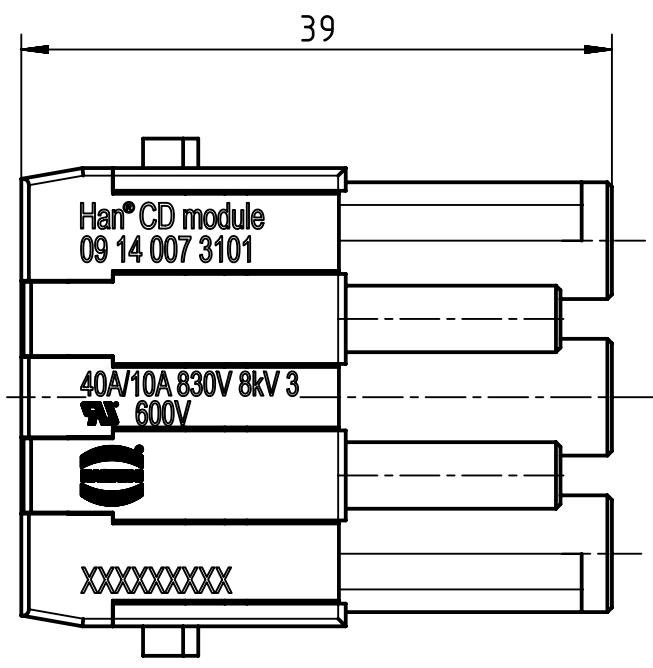
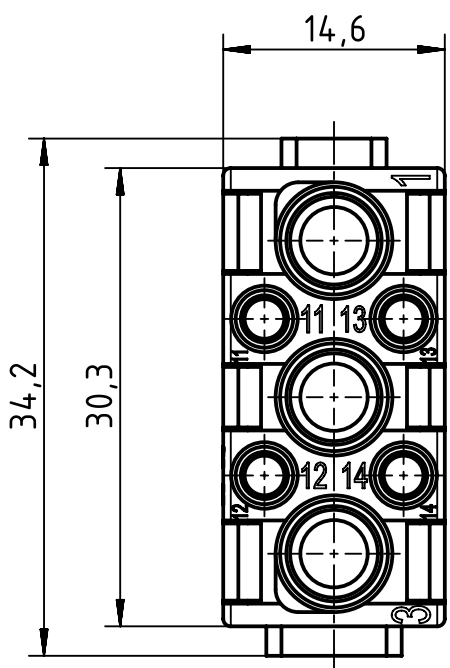


1 2 3 4 5 6

A
B
C
D



| | | | | | | |
|---|--|--------------------------------------|----------------------|-----------------------|-----------------------------|--|
| | All Dimensions in mm Original Size DIN A4 | | Scale 2:1 | Free size tol. | | Ref. |
| | | | Created by FINKEV | Inspected by RIEPE | Standardisation TIEMANNA | Sub. |
| All rights reserved Department EL PD | | Title Han CD module, crimp female | | Date 2020-01-31 | State Final Release | |
| HARTING Electric GmbH & Co. KG D-32339 Espelkamp | | Type TB | | Number 09 14 007 3101 | | Doc-Key / ECM-Nr. 100086517/UGD/010/B 500000165845 |
| | | | | Rev. B | Page 1/1 | |