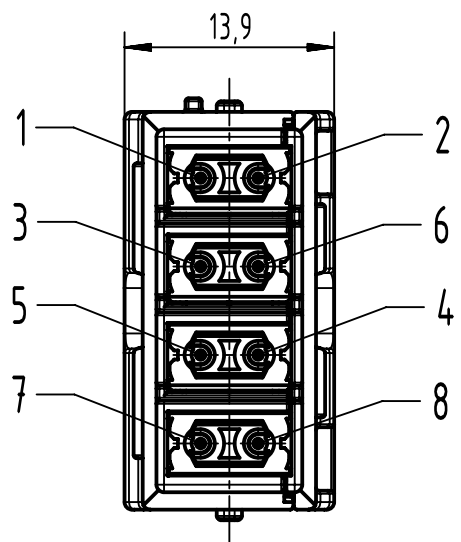
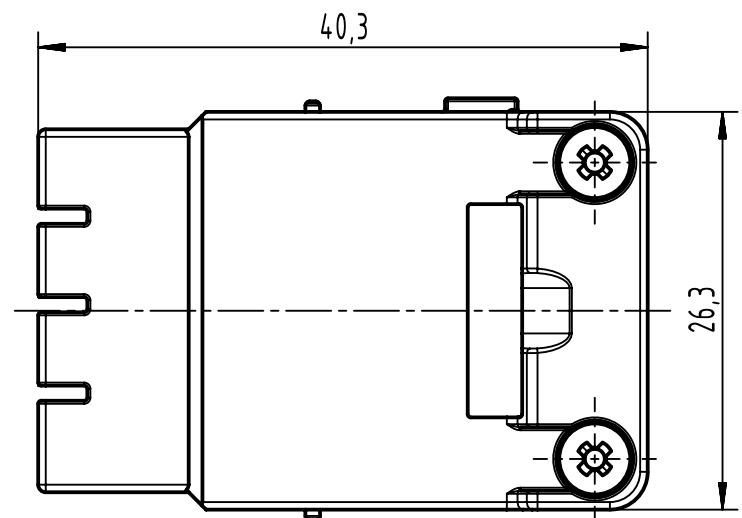


1 2 3 4 5 6

A



wiring acc. EIA/TIA 568A
view from termination side

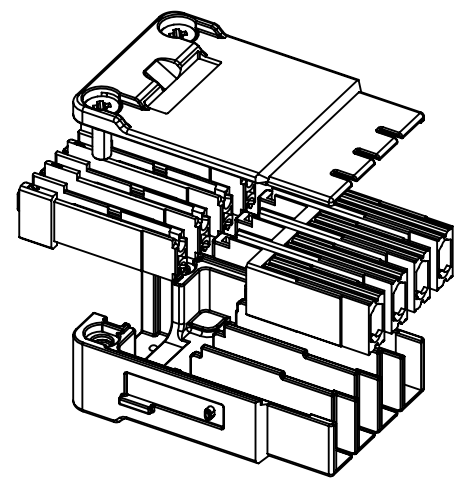
green	2•	•1	white/green
orange	6•	•3	white/orange
blue	4•	•5	white/blue
brown	8•	•7	white/brown

B

wiring acc. EIA/TIA 568B
view from termination side

orange	2•	•1	white/orange
green	6•	•3	white/green
blue	4•	•5	white/blue
brown	8•	•7	white/brown

C



Kind of delivery: piece parts

D

	All Dimensions in mm Original Size DIN A4	Scale 2:1	Free size tol.		Ref.
	All rights reserved Department EL PD	Created by SPRENB	Inspected by RIEPE	Standardisation	Sub.
HARTING D-32339 Espelkamp		Title Han Gigabit insert female			Date 2024-02-20
		Type TB		State Final Release	Doc-Key / ECM-Nr. 100174324/UGD/007/E 500000241845
		Number 09 14 008 3111		Rev. E	Page 1/1