

## Han DD module, crimp male

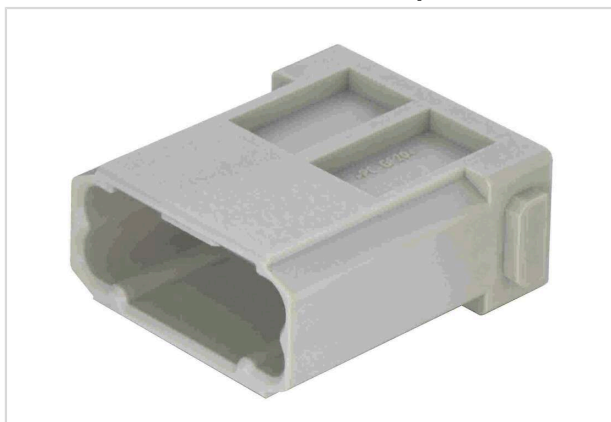


Image is for illustration purposes only. Please refer to product description.

Part number	09 14 012 3002
Specification	Han DD module, crimp male
HARTING eCatalogue	<a href="https://b2b.harting.com/09140123002">https://b2b.harting.com/09140123002</a>

### Identification

Category	Modules
Series	Han-Modular®
Type of module	Han DD® module
Size of the module	Single module

### Version

Termination method	Crimp termination
Gender	Male
Number of contacts	12
Details	Please order crimp contacts separately.

### Technical characteristics

Conductor cross-section	0.14 ... 2.5 mm <sup>2</sup>
Rated current	10 A
Rated voltage	250 V
Rated impulse voltage	4 kV
Pollution degree	3
Rated voltage acc. to UL	600 V
Insulation resistance	>10 <sup>10</sup> Ω
Limiting temperature	-40 ... +125 °C
Mating cycles	≥500
Mating cycles with other HMC components	≥10,000



Pushing Performance  
Since 1945

## Material properties

Material (insert)	Polycarbonate (PC)
Colour (insert)	RAL 7032 (pebble grey)
Material flammability class acc. to UL 94	V-0
RoHS	compliant
ELV status	compliant
China RoHS	e
REACH Annex XVII substances	Not contained
REACH ANNEX XIV substances	Not contained
REACH SVHC substances	Not contained
California Proposition 65 substances	Not contained
Fire protection on railway vehicles	EN 45545-2 (2020-08)
Requirement set with Hazard Levels	R22 (HL 1-3) R23 (HL 1-3)

## Specifications and approvals

Specifications	IEC 60664-1 IEC 61984
UL / CSA	UL 1977 ECBT2.E235076 CSA-C22.2 No. 182.3
Approvals	DNV GL

## Commercial data

Packaging size	2
Net weight	10 g
Country of origin	Germany
European customs tariff number	85389099
GTIN	5713140161634
ETIM	EC000438
eCl@ss	27440217 Module for industrial connectors (power/signals)