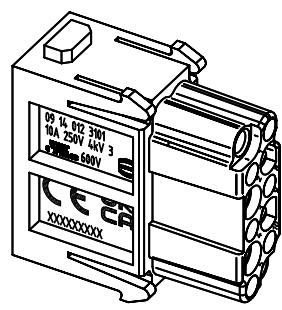
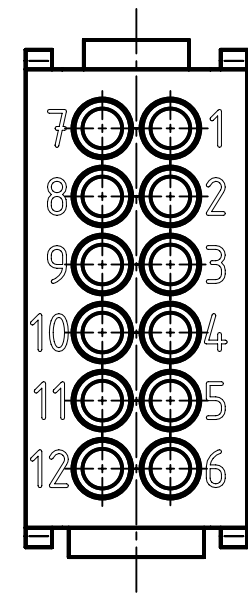
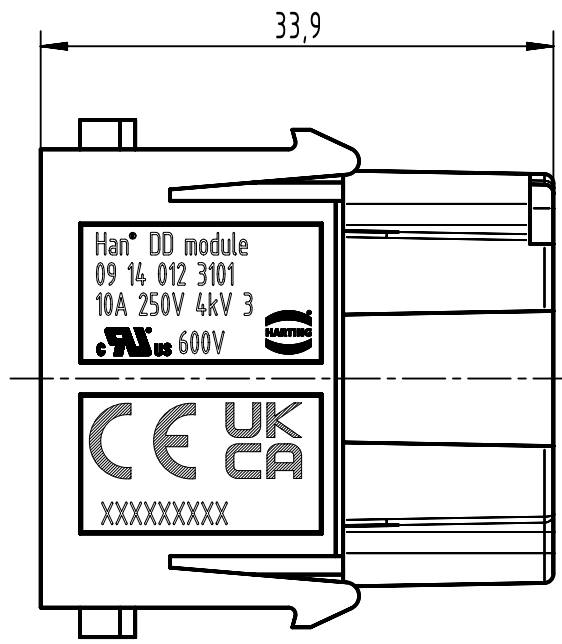
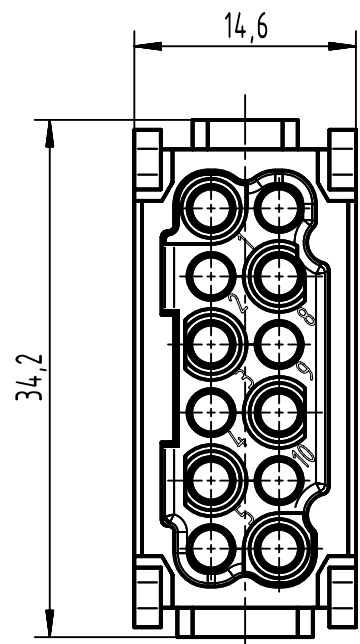


1 2 3 4 5 6

A
B
C
D



	All Dimensions in mm Original Size DIN A4		Scale 2:1	Free size tol.		Ref.
			Created by 100887	Inspected by SUNDERMEIER	Standardisation	Sub.
		All rights reserved Department EL PD	Title Han DD module, crimp female		Date 2022-11-03	State Final Release
		HARTING D-32339 Espelkamp	Type TB	Number 09 14 012 3101		Doc-Key / ECM-Nr. 100518613/UGD/001/D 500000229126
					Rev. D	Page 1/1