

Han Modular frame 16 hood 4 module A-D (

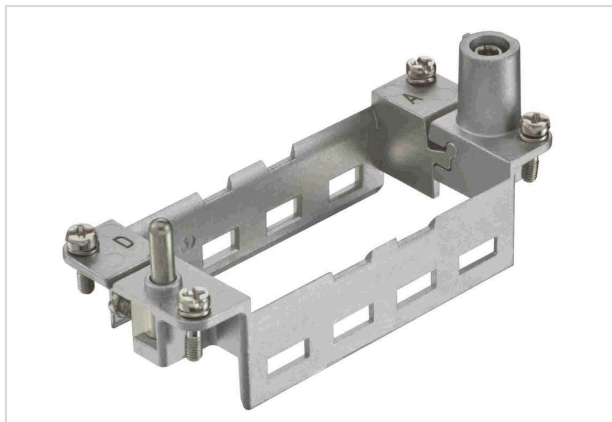


Image is for illustration purposes only. Please refer to product description.

Part number	09 14 016 0303
Specification	Han Modular frame 16 hood 4 module A-D (
HARTING eCatalogue	https://b2b.harting.com/09140160303

Identification

Category	Accessories
Series	Han-Modular®
Type of accessory	Hinged frame
Description of the accessory	for 4 modules A ... D
Features	Conductor cross-section PE (power side) 4 ... 10 mm ² Conductor cross-section PE (signal side) 1 ... 2.5 mm ²

Version

Size	16 B
------	------

Technical characteristics

Limiting temperature	-40 ... +125 °C
Mating cycles	≥500

Material properties

Material	Zinc die-cast
RoHS	compliant
ELV status	compliant
China RoHS	e
REACH Annex XVII substances	Not contained
REACH ANNEX XIV substances	Not contained
REACH SVHC substances	Not contained
California Proposition 65 substances	Not contained



Pushing Performance
Since 1945

Material properties

Fire protection on railway vehicles	EN 45545-2 (2020-08)
Requirement set with Hazard Levels	R22 (HL 1-3) R23 (HL 1-3)

Specifications and approvals

Specifications	IEC 60664-1 IEC 61984
UL / CSA	UL 1977 ECBT2.E235076
Approvals	DNV GL

Commercial data

Packaging size	2
Net weight	60 g
Country of origin	Germany
European customs tariff number	85389099
GTIN	5713140021044
ETIM	EC002312
eCl@ss	27440206 Module carrier frame for industrial connectors