

## Han Mod hinged frame 16B A-D 2x PE 6 mm<sup>2</sup>

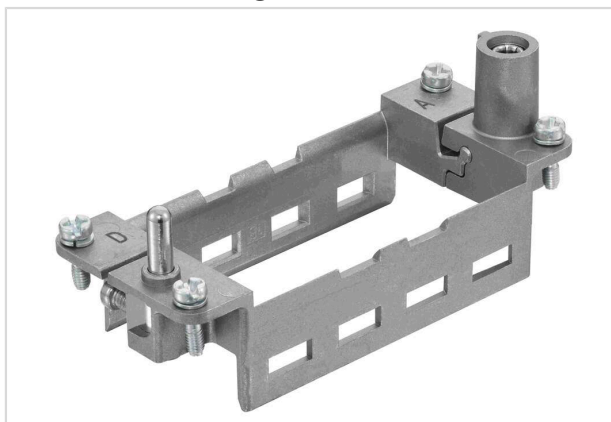


Image is for illustration purposes only. Please refer to product description.

Part number	09 14 016 0305
Specification	Han Mod hinged frame 16B A-D 2x PE 6 mm <sup>2</sup>
HARTING eCatalogue	<a href="https://b2b.harting.com/09140160305">https://b2b.harting.com/09140160305</a>

### Identification

Category	Accessories
Series	Han-Modular®
Type of accessory	Hinged frame
Description of the accessory	for 4 modules A ... D 2x PE 6 mm <sup>2</sup>
Features	Conductor cross-section PE (power side) 4 ... 10 mm <sup>2</sup> Conductor cross-section PE (signal side) 1 ... 2.5 mm <sup>2</sup>

### Version

Size	16 B
------	------

### Technical characteristics

Conductor cross-section	6 mm <sup>2</sup> 6 mm <sup>2</sup>
Stripping length	8 ... 10 mm
Limiting temperature	-40 ... +125 °C
Mating cycles	≥500

### Material properties

Material	Zinc die-cast
RoHS	compliant with exemption
RoHS exemptions	6(c): Copper alloy containing up to 4 % lead by weight
ELV status	compliant with exemption



**Pushing Performance**  
Since 1945

## Material properties

China RoHS	50
REACH Annex XVII substances	Not contained
REACH ANNEX XIV substances	Not contained
REACH SVHC substances	Yes
REACH SVHC substances	Lead
ECHA SCIP number	564b7d75-7bf6-4cfb-acb1-2168eb61b675
California Proposition 65 substances	Yes
California Proposition 65 substances	Lead Nickel

## Specifications and approvals

Specifications	IEC 60664-1 IEC 61984
UL / CSA	UL 1977 ECBT2.E235076
Approvals	DNV GL

## Commercial data

Packaging size	2
Net weight	66 g
Country of origin	Germany
European customs tariff number	85389099
GTIN	5713140194625
ETIM	EC002312
eCl@ss	27440206 Module carrier frame for industrial connectors