

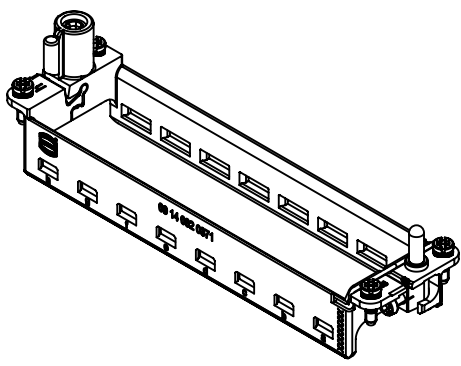
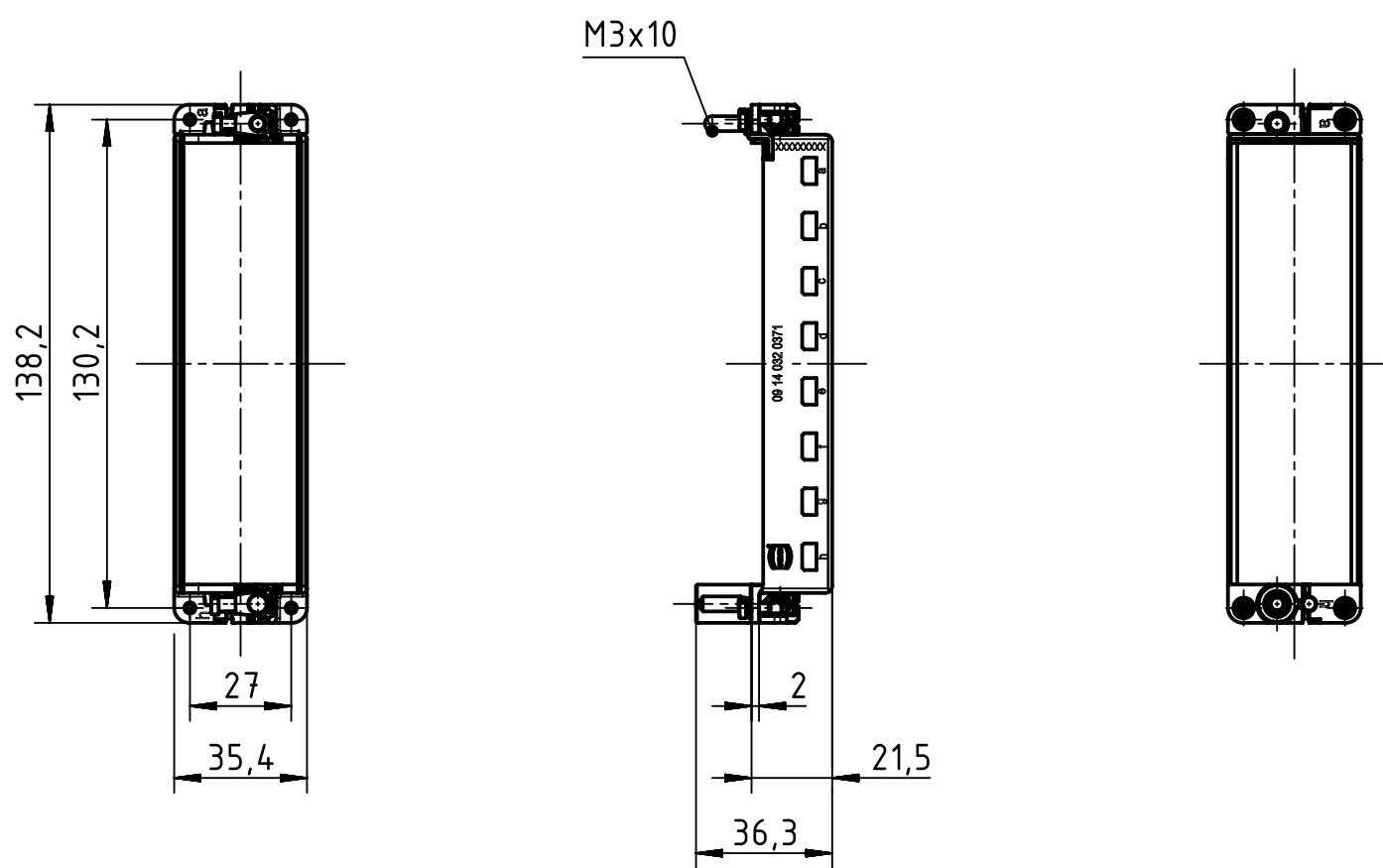
1 2 3 4 5 6


A

B

C

D



	All Dimensions in mm Original Size DIN A4		Scale 1:2	Free size tol.		Ref.		
	All rights reserved Department EL PD		Created by HUK	Inspected by WANGSTE	Standardisation GARSKE	Date 2020-05-12	State Final Release	
HARTING Electric GmbH & Co. KG D-32339 Espelkamp			Title Han hinged frame plus, for 8 modules a-h				Doc-Key / ECM-Nr. 100841306/UGD/001/A 500000172520	
			Type TB	Number 09 14 032 0371			Rev. A	Page 1/1