

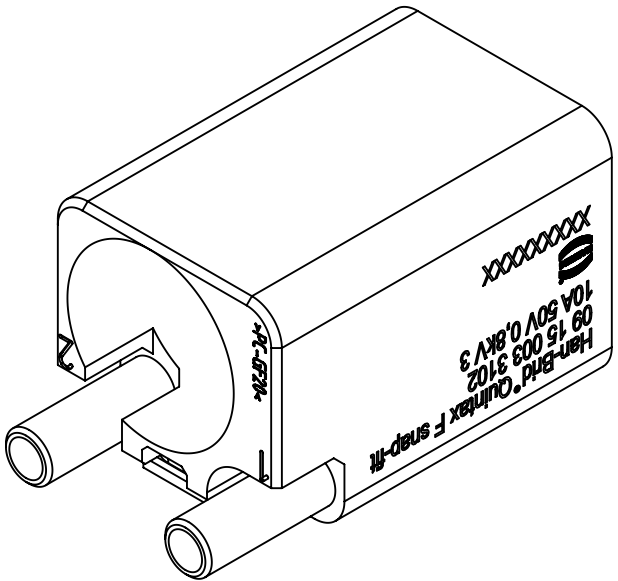
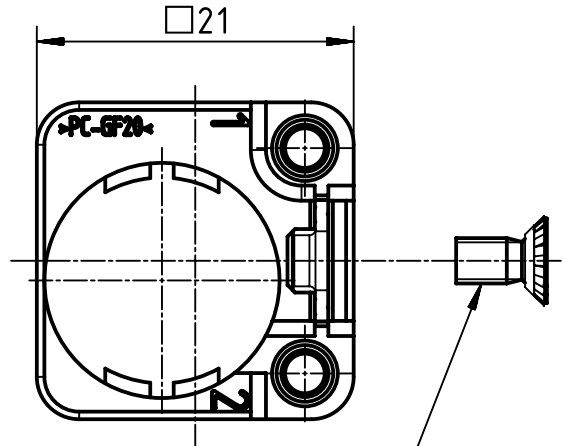
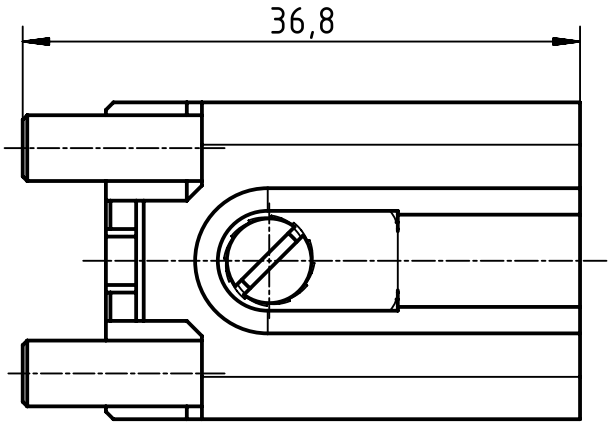
1 2 3 4 5 6


A

B

C

D



	All rights reserved		Scale 2:1		Free size tol.		Ref.		
	Department EL PD		Created by FINKEV	Inspected by RIEPE	Standardisation RUETERA	Date 2019-03-06	State Final Release		
HARTING Electric GmbH & Co. KG D-32339 Espelkamp			Title Han-Brid Quintax F snap-fit				Doc-Key / ECM-Nr. 100743025/UGD/001/B 50000014.8468		
			Type TB	Number 09 15 003 3102			Rev. B	Page 1/1	