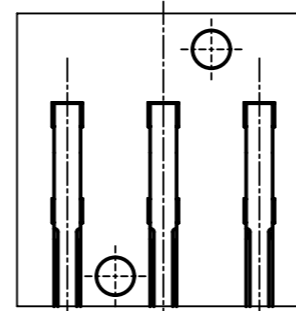
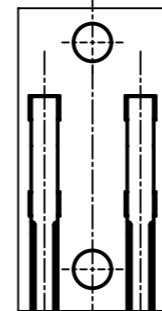


X (5:1)



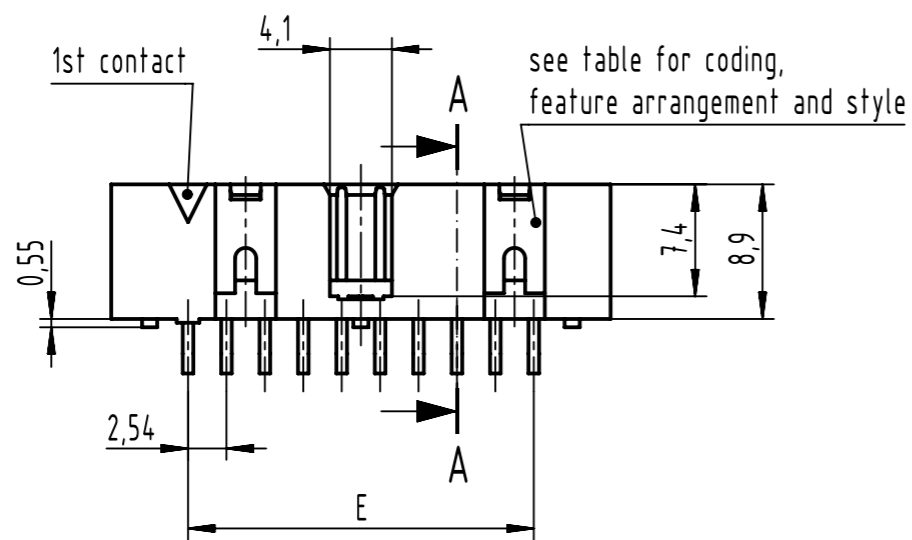
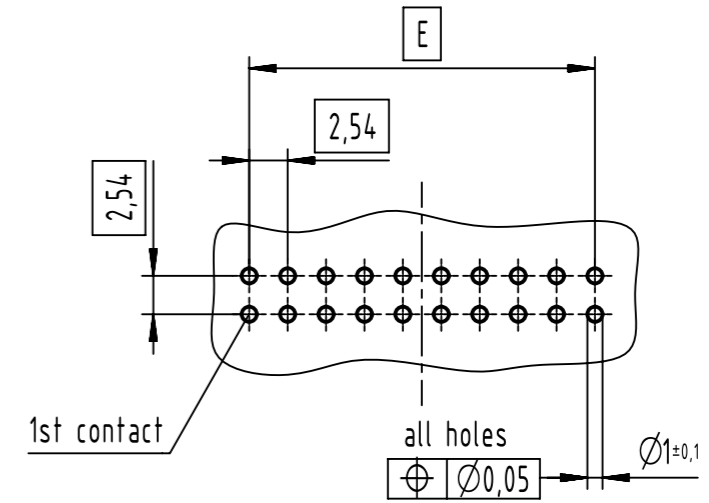
for 6, 10, 14, 26, 30,
34 and 50-pole

X (5:1)

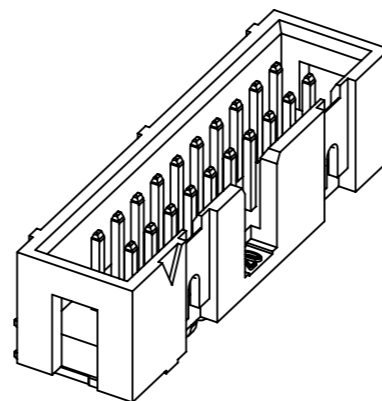
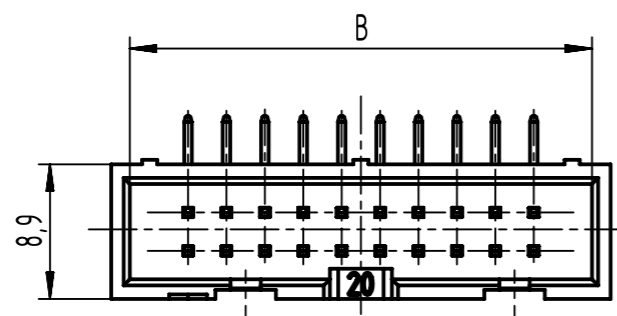
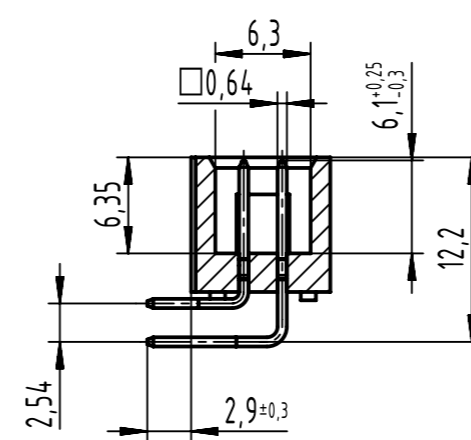


for 16, 20, 40, 60
and 64-pole

PCB layout
view component side
thickness 1.6



A-A



coding style table


	style A: for connectors 6-pole
	style B: for connectors from 10 to 14-pole
	style C: for connectors from 16 to 64-pole

further information see
product data sheet

full range of P/N's and
dimensions shown on page 2/2

	All Dimensions in mm Original Size DIN A3	Scale 2:1	Free size tol. IEC 60603-13	Ref. Sub.
	All rights reserved Department EL PD	Created by STORCK	Inspected by LEHNERT	Standardisation
HARTING D-32339 Espelkamp	Title SEK 18 male low profile angled solder 2.9	Type TB	Number 09185XXX323	Date 2024-02-01
				State Final Release
				Doc-Key / ECM-Nr. 100154466/UGD/007/B 500000144563
				Rev. B Page 1/2

no. of contacts	performance level			insulator colour	remark	dimensions				
	PL3	PL2	S4 (NM30)			A max.	B	E		
06	09 18 506 7323	09 18 506 6323	09 18 506 5323	grey	-	15,4	12,78	2,54 x 2 = 5,08		
10	09 18 510 7323	09 18 510 6323	09 18 510 5323			20,5	17,86	2,54 x 4 = 10,16		
14	09 18 514 7323	09 18 514 6323	09 18 514 5323			25,6	22,94	2,54 x 6 = 15,24		
16	09 18 516 7323	09 18 516 6323	09 18 516 5323			28,1	25,48	2,54 x 7 = 17,78		
20	09 18 520 7323	09 18 520 6323	09 18 520 5323			33,2	30,56	2,54 x 9 = 22,86		
26	09 18 526 7323	09 18 526 6323	09 18 526 5323			40,8	38,18	2,54 x 12 = 30,48		
30	09 18 530 7323	09 18 530 6323	09 18 530 5323			45,9	43,26	2,54 x 14 = 35,56		
34	09 18 534 7323	09 18 534 6323	09 18 534 5323			51,0	48,34	2,54 x 16 = 40,64		
40	09 18 540 7323	09 18 540 6323	09 18 540 5323			58,6	55,96	2,54 x 19 = 48,26		
50	09 18 550 7323	09 18 550 6323	09 18 550 5323			71,5	68,66	2,54 x 24 = 60,96		
60	09 18 560 7323	09 18 560 6323	09 18 560 5323			84,2	81,36	2,54 x 29 = 73,66		
64	09 18 564 7323	09 18 564 6323	09 18 564 5323			89,3	86,44	2,54 x 31 = 78,74		
06	09 18 506 7323 001	09 18 506 6323 001	09 18 506 5323 001			black	available on request	15,4	12,78	2,54 x 2 = 5,08
10	09 18 510 7323 001	09 18 510 6323 001	09 18 510 5323 001					20,5	17,86	2,54 x 4 = 10,16
14	09 18 514 7323 001	09 18 514 6323 001	09 18 514 5323 001	25,6	22,94			2,54 x 6 = 15,24		
16	09 18 516 7323 001	09 18 516 6323 001	09 18 516 5323 001	28,1	25,48			2,54 x 7 = 17,78		
20	09 18 520 7323 001	09 18 520 6323 001	09 18 520 5323 001	33,2	30,56			2,54 x 9 = 22,86		
26	09 18 526 7323 001	09 18 526 6323 001	09 18 526 5323 001	40,8	38,18			2,54 x 12 = 30,48		
30	09 18 530 7323 001	09 18 530 6323 001	09 18 530 5323 001	45,9	43,26			2,54 x 14 = 35,56		
34	09 18 534 7323 001	09 18 534 6323 001	09 18 534 5323 001	51,0	48,34			2,54 x 16 = 40,64		
40	09 18 540 7323 001	09 18 540 6323 001	09 18 540 5323 001	58,6	55,96			2,54 x 19 = 48,26		
50	09 18 550 7323 001	09 18 550 6323 001	09 18 550 5323 001	71,5	68,66			2,54 x 24 = 60,96		
60	09 18 560 7323 001	09 18 560 6323 001	09 18 560 5323 001	84,2	81,36			2,54 x 29 = 73,66		
64	09 18 564 7323 001	09 18 564 6323 001	09 18 564 5323 001	89,3	86,44			2,54 x 31 = 78,74		

	All Dimensions in mm Original Size DIN A3	Scale 1:1	Free size tol.	Ref.
	All rights reserved Department EL PD	Created by STORCK	Inspected by LEHNERT	Standardisation
HARTING D-32339 Espelkamp		Title SEK 18 male low profile angled solder 2.9		Date 2024-02-01
		Type TB	Number 09185XXX323	State Final Release
				Doc-Key / ECM-Nr. 100154466/UGD/007/B 500000144563
				Rev. B Page 2/2