

## ADAPTER Han A/Han SNAP

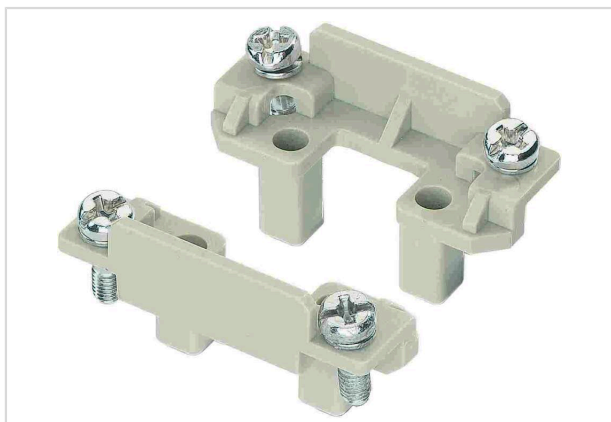


Image is for illustration purposes only. Please refer to product description.

Part number	09 20 000 9933
Specification	ADAPTER Han A/Han SNAP
HARTING eCatalogue	<a href="https://b2b.harting.com/09200009933">https://b2b.harting.com/09200009933</a>

### Identification

Category	Accessories
Type of accessory	Adapter
Adapter for	Han A <sup>®</sup>

### Version

Pack contents	2 adapters 4 fixing screws
---------------	-------------------------------

### Material properties

Material (accessories)	Polycarbonate (PC)
Colour (accessories)	RAL 7032 (pebble grey)
RoHS	compliant
ELV status	compliant
China RoHS	e
REACH Annex XVII substances	Not contained
REACH ANNEX XIV substances	Not contained
REACH SVHC substances	Yes
REACH SVHC substances	Potassium 1,1,2,2,3,3,4,4,4-nonafluorobutane-1-sulphonate
California Proposition 65 substances	Yes
California Proposition 65 substances	Nickel
Fire protection on railway vehicles	EN 45545-2 (2020-08)
Requirement set with Hazard Levels	R22 (HL 1-3) R23 (HL 1-3)



**Pushing Performance**  
Since 1945

## Commercial data

Packaging size	10
Net weight	6.75 g
Country of origin	Germany
European customs tariff number	85366990
GTIN	5713140038240
ETIM	EC002939
eCl@ss	27440392 Connector (accessories)