

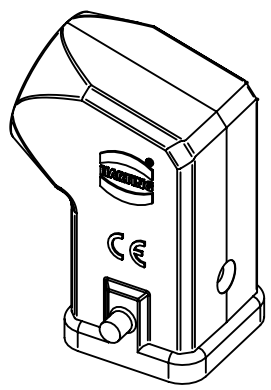
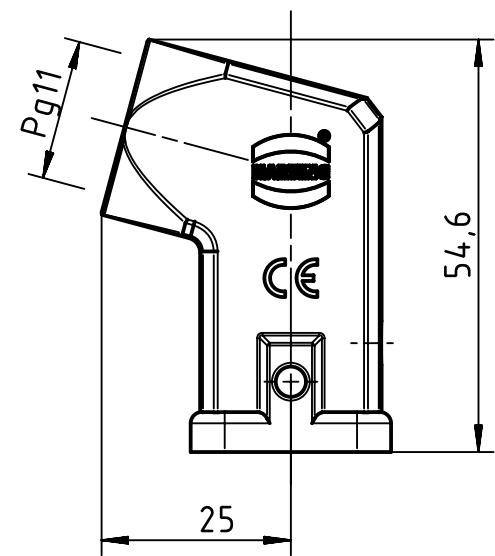
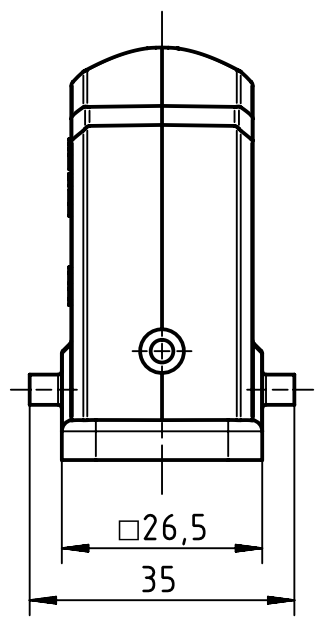
1 2 3 4 5 6

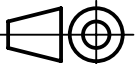

A

B

C

D



 All Dimensions in mm Original Size DIN A4	Scale	Free size tol.		Ref.	
	1:1			Sub.	
 All rights reserved Department EL PD	Created by	Inspected by	Standardisation	Date	State
	402602	PRIESTER	RUETERA	2020-09-28	Final Release
HARTING Electric GmbH & Co. KG D-32339 Espelkamp	Title			Doc-Key / ECM-Nr.	
	Han A Hood Angled Entry 2 Pegs PG 11 Bla			100198415/UGD/005/B 500000179980	
Type		Number		Rev.	Page
TB		09 20 003 0627		B	1/1