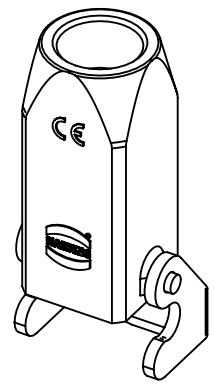
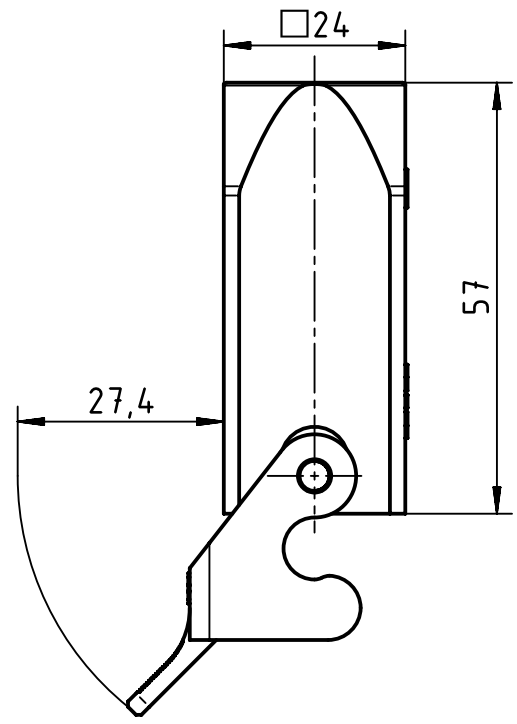
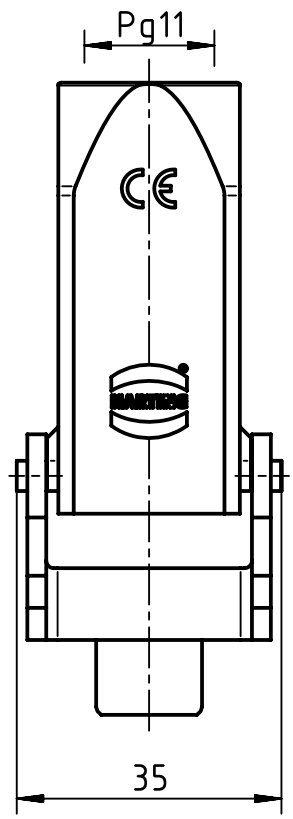
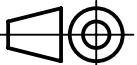



1 2 3 4 5 6

A
B
C
D



 All Dimensions in mm Original Size DIN A4	Scale	Free size tol.		Ref.	
	1:1			Sub.	
 All rights reserved Department EL PD	Created by	Inspected by	Standardisation	Date	State
	402602	PRIESTER	RUETERA	2020-09-29	Final Release
HARTING Electric GmbH & Co. KG D-32339 Espelkamp	Title			Doc-Key / ECM-Nr.	
	Han 3A-HCC/P-DL-1Pg11-black			100197920/UGD/004/B 500000180373	
Type		Number		Rev.	Page
TB		09 20 003 0727		B	1/1