

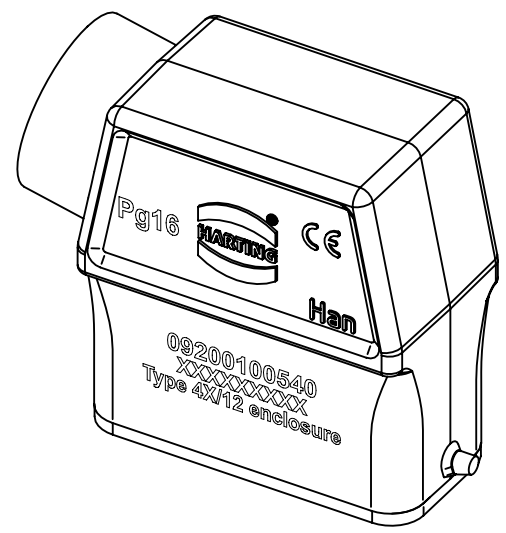
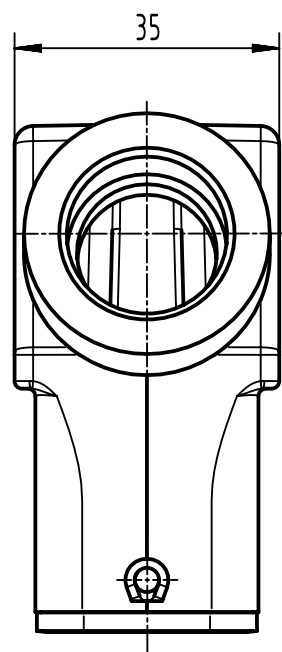
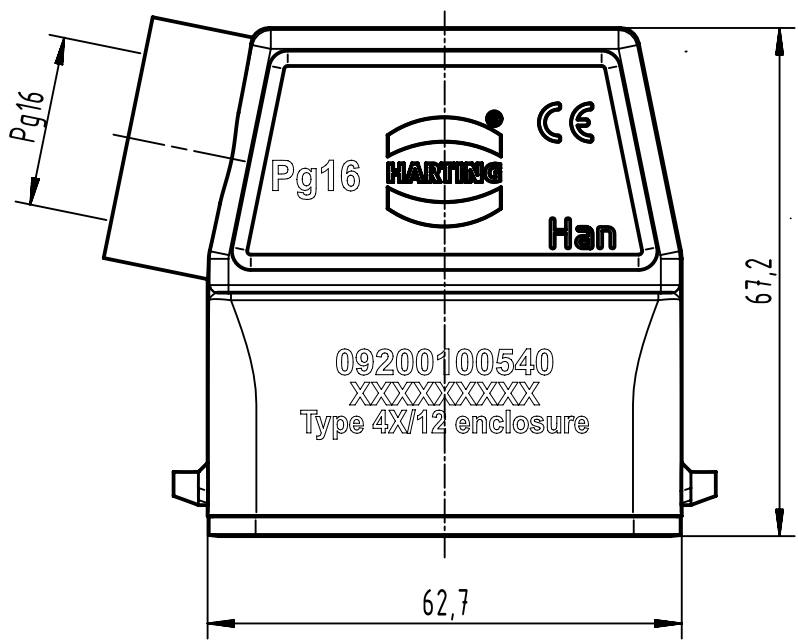
1 2 3 4 5 6

A

B

C

D



	All Dimensions in mm Original Size DIN A4	Scale	Free size tol.		Ref.		
		1:1			Sub.		
	All rights reserved Department EL PD	Created by	Inspected by	Standardisation	Date	State	
		SPRENB	GERB		2021-07-16	Final Release	
HARTING D-32339 Espelkamp		Title				Doc-Key / ECM-Nr.	
		Han 10A-HSE-HC-for SL-Pg16				100189407/UGD/004/D 500000191659	
		Type	Number		Rev.	Page	
		TB	09 20 010 0540		D	1/1	