

1 2 3 4 5 6

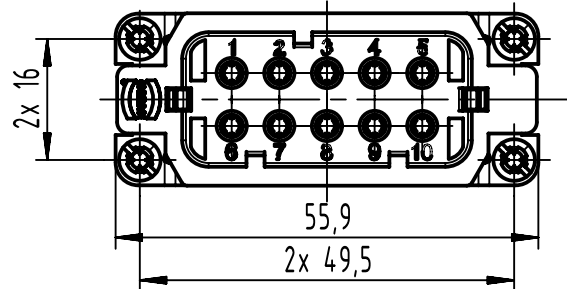
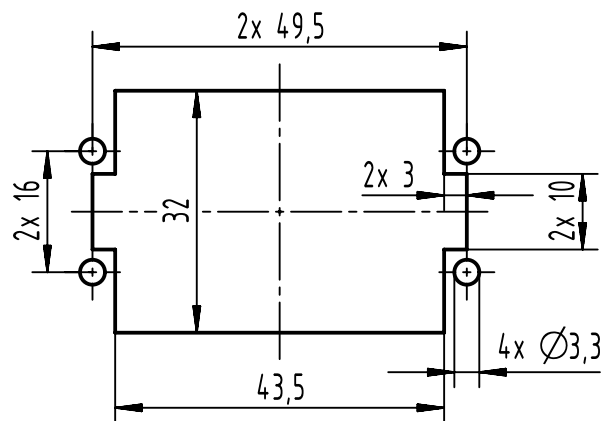
A

B

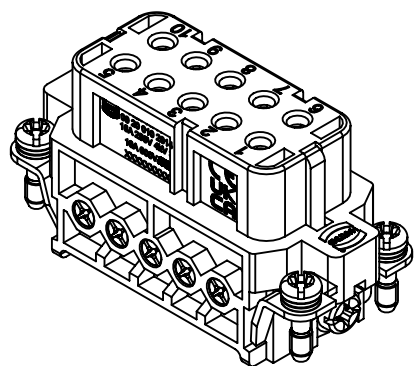
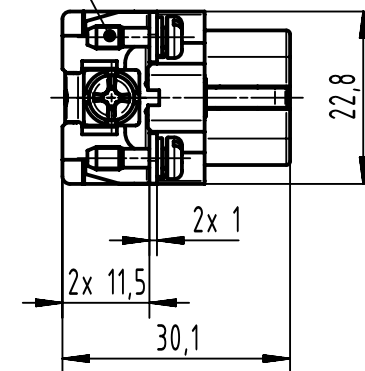
C


D

panel cut out



4x M3x10



	All rights reserved Department EL PD	All Dimensions in mm Original Size DIN A4		Scale 1:1	Free size tol.		Ref.	
		HARTING D-32339 Espelkamp	Created by 404270	Inspected by 402602	Standardisation	Date 2024-02-08	State Final Release	Sub.
Title Han 10A-F-S, w. Wire Protection							Doc-Key / ECM-Nr. 100217398/UGD/002/F 500000263447	
				Type TB	Number 09 20 010 2814		Rev. F	Page 1/1