

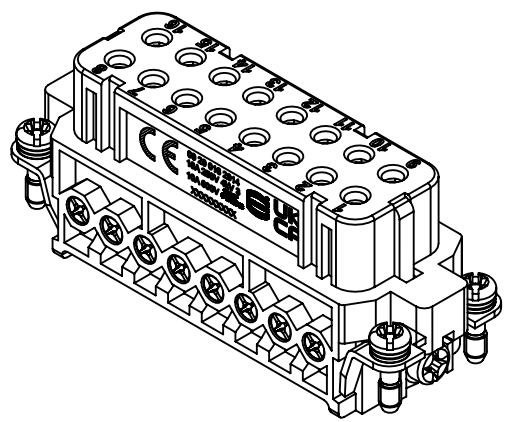
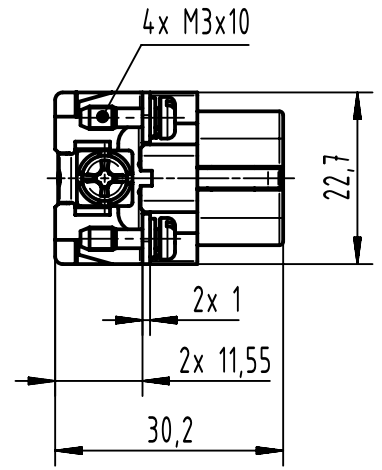
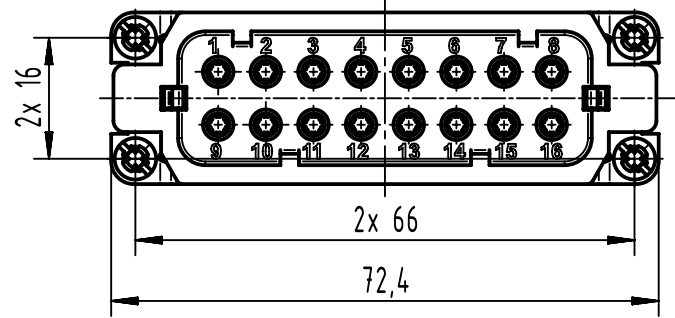
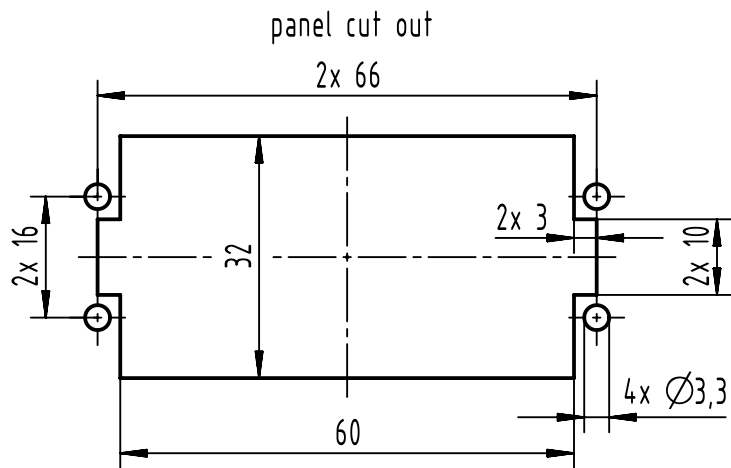
1 2 3 4 5 6


A

B

C

D



	All rights reserved Department EL PD	All Dimensions in mm Original Size DIN A4		Scale 1:1	Free size tol.	Ref. Sub.
		Created by BALSAN	Inspected by 402602	Standardisation	Date 2022-12-05	State Final Release
HARTING D-32339 Espelkamp		Title Han 16A-BU-S, Drahtschutz			Doc-Key / ECM-Nr. 100217399/UGD/003/F 500000231826	
		Type TB	Number 09 20 016 2814		Rev. F	Page 1/1