

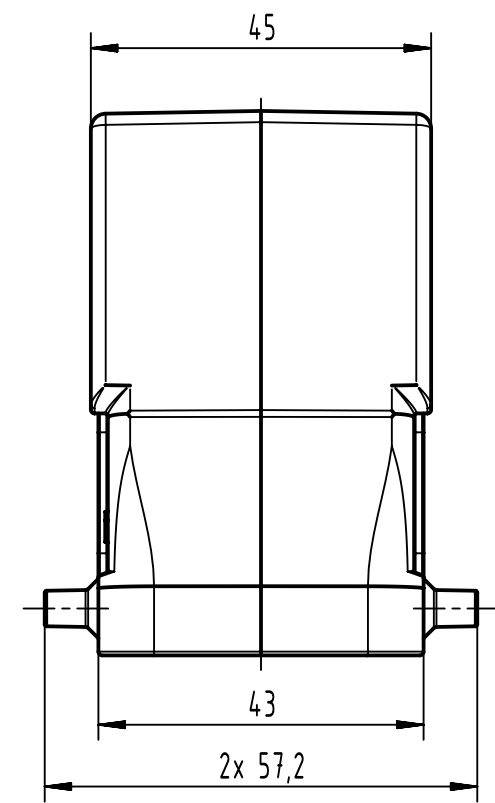
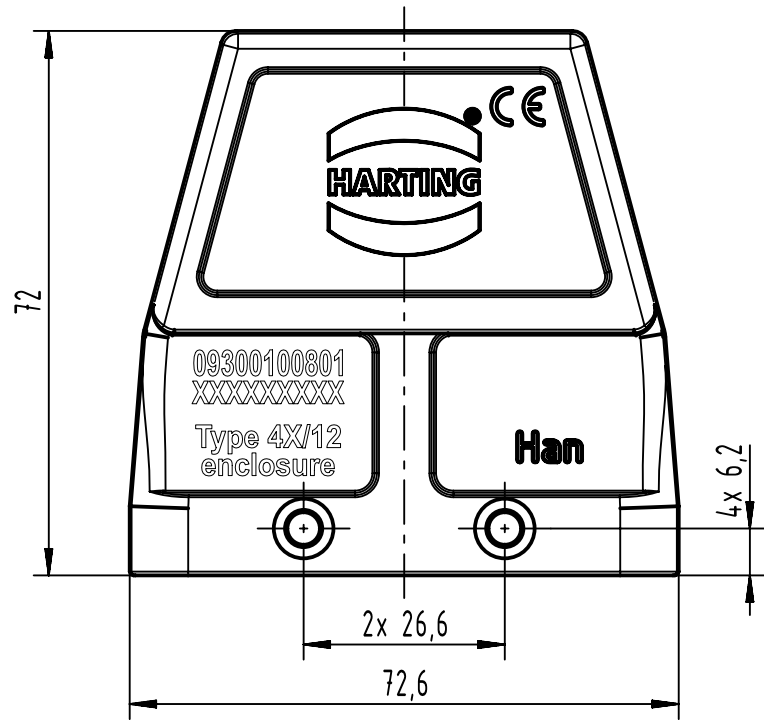
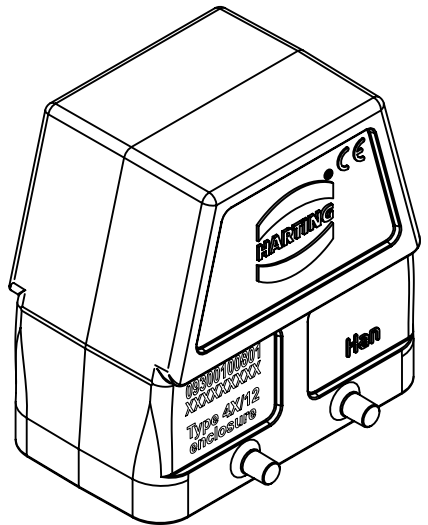
1 2 3 4 5 6

A

B

C

D



|                              |  |   |                       |                     |  |                 |                 |                     |  |
|------------------------------|--|---|-----------------------|---------------------|--|-----------------|-----------------|---------------------|--|
|                              | All Dimensions in mm<br>Original Size DIN A4 | Scale 1:1                               |                       |                     | Free size tol.                                       |                 | Ref.            |                     |  |
|                              |  | All rights reserved<br>Department EL PD |                       | Created by HELLMANN | Inspected by GERB                                    | Standardisation | Date 2021-11-02 | State Final Release |  |
| HARTING<br>D-32339 Espelkamp |  | Title Han 10B-g                         |                       |                     | Doc-Key / ECM-Nr. 1002314.47/UGD/002/E 500000204.048 |                 |                 | Rev. E              |  |
|                              |  | Type TB                                 | Number 09 30 010 0801 |                     |  | Page 1/1        |                 |                     |  |