

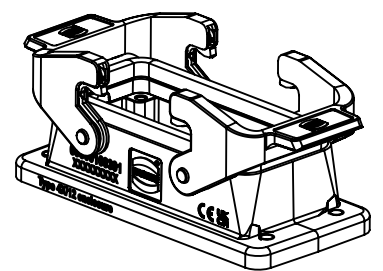
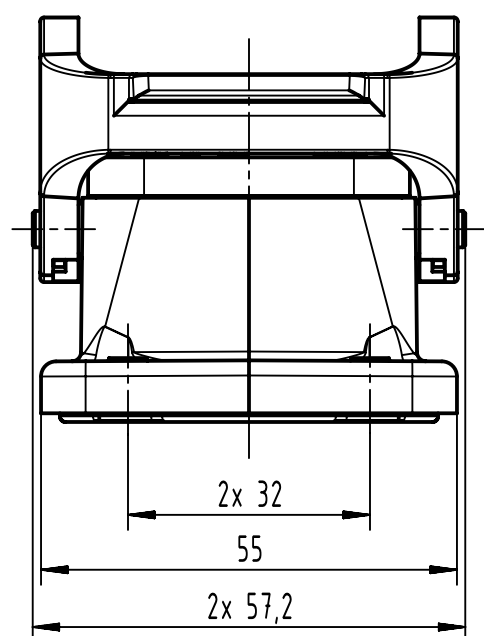
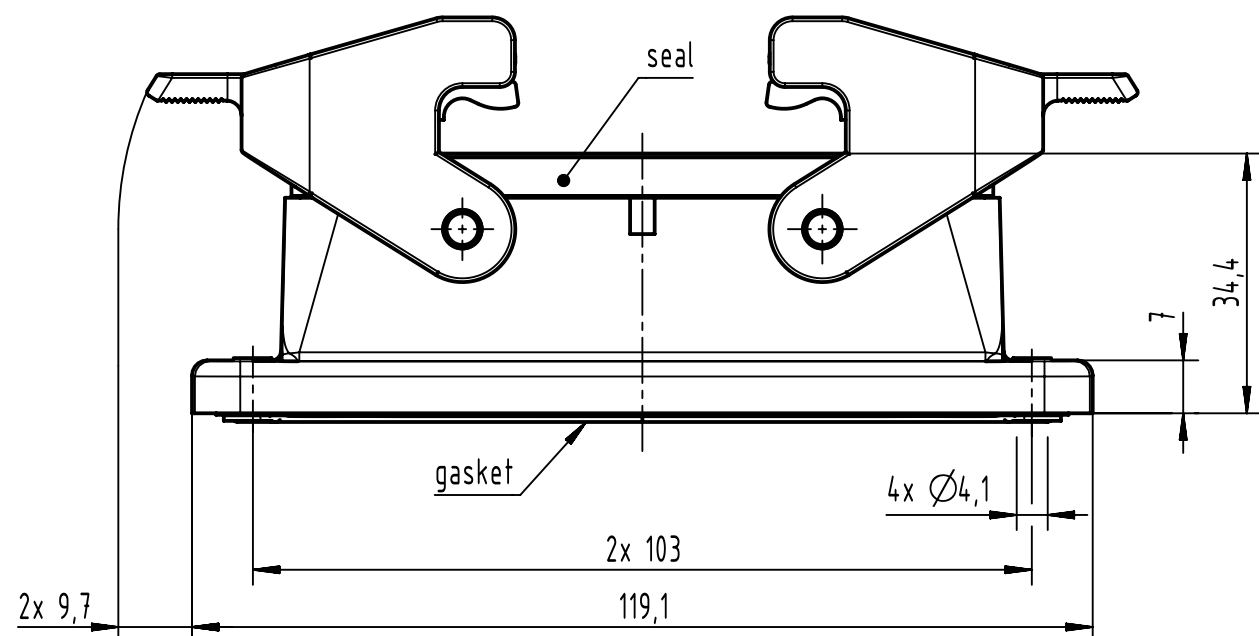
1 2 3 4 5 6

A

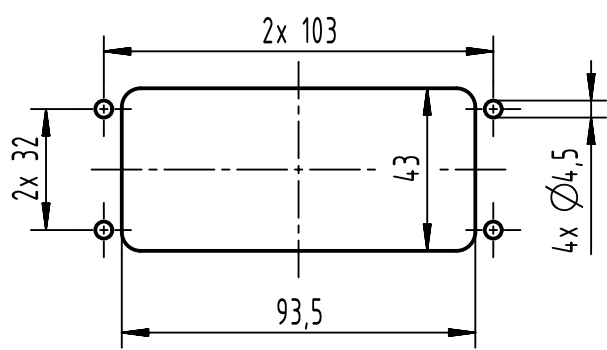
B

C

D



panel cut out
(1:2)



	All rights reserved Department EL PD	All Dimensions in mm Original Size DIN A4		Scale 1:1	Free size tol.	Ref.
		Created by SHENGJ	Inspected by WANGSTE	Standardisation ROEBEN	Date 2024-01-09	State Final Release
HARTING D-32339 Espelkamp		Title Han 16B-HBM-Rear Fit-DL			Doc-Key / ECM-Nr. 100772859/UGD/001/D 500000261244	
		Type TB	Number 09 30 016 0391		Rev. D	Page 1/1