

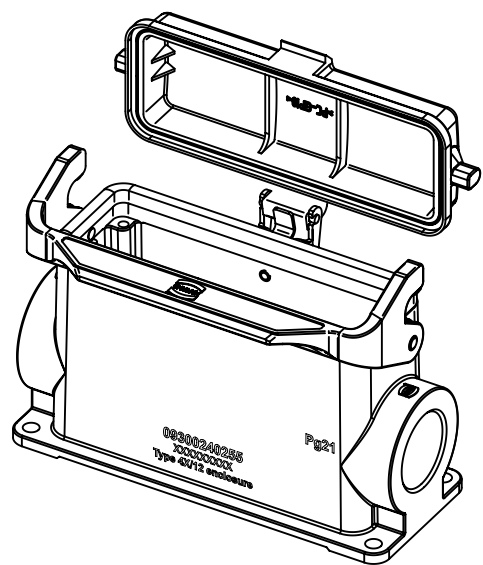
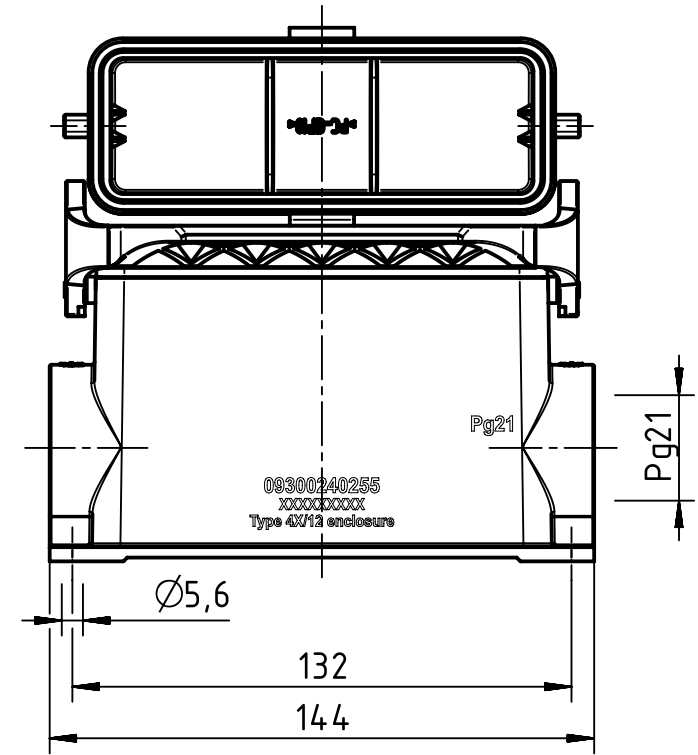
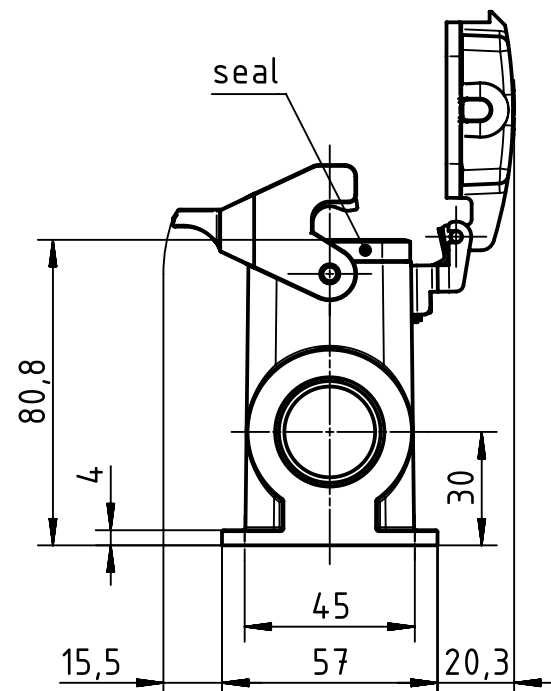
1 2 3 4 5 6

A

B

C

D



	All Dimensions in mm Original Size DIN A4		Scale 1:2	Free size tol.	Ref. Sub. TB 09 30 024 0255 v. 04.03.11		
		All rights reserved	Created by FINKEV	Inspected by GERB	Standardisation RUETERA	Date 2020-03-11	State Final Release
Department EL PD		Title Han 24B-asg1-LB-K-21			Doc-Key / ECM-Nr. 100205722/UGD/004/B 500000166174		
HARTING Electric GmbH & Co. KG D-32339 Espelkamp		Type TB	Number 09 30 024 0255			Rev. B	Page 1/1