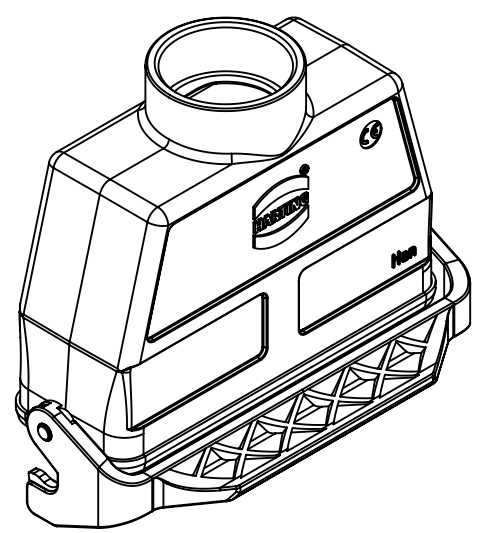
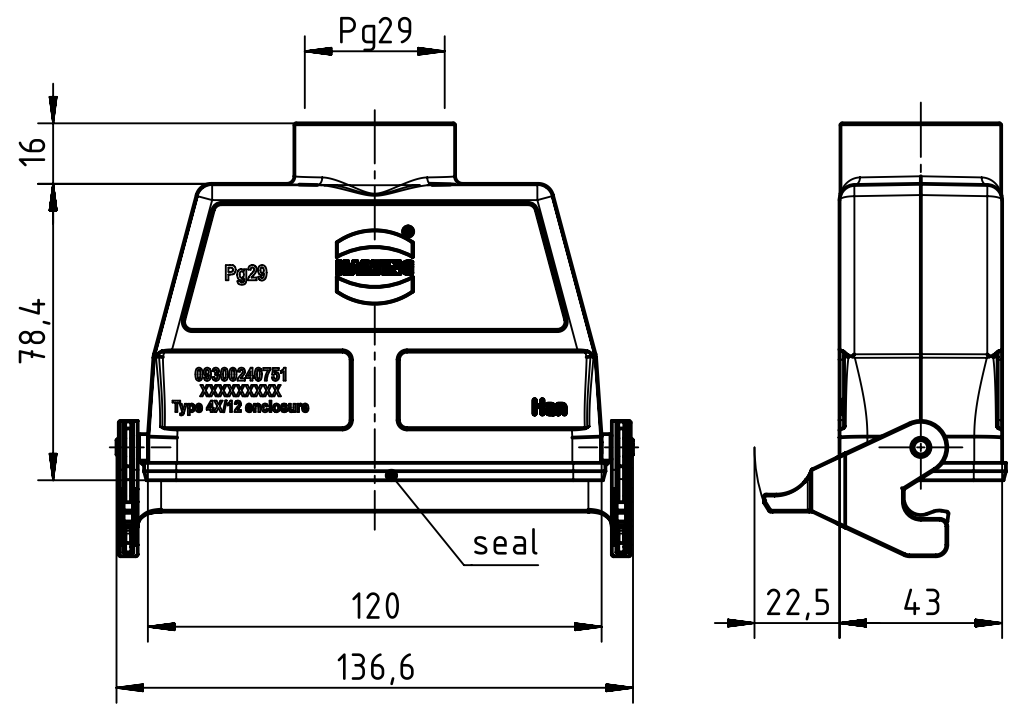


A

B

C

D



	All Dimensions in mm Original Size DIN A4		Scale 1:2	Free size tol.		Ref.		
						Sub.		
	All rights reserved		Created by 00103855	Inspected by GERB	Standardisation GARSKE	Date 2020-04-29	State Final Release	
	Department EL PD		Title Han 24B-kg-LB-29				Doc-Key / ECM-Nr. 100105116/UGD/007/C 500000171209	
HARTING Electric GmbH & Co. KG D-32339 Espelkamp			Type TB	Number 09 30 024 0751			Rev. C	Page 1/1