

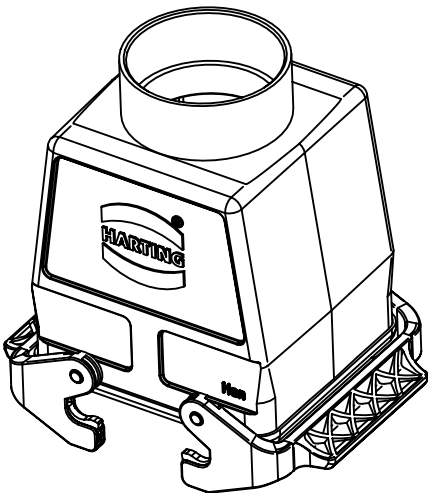
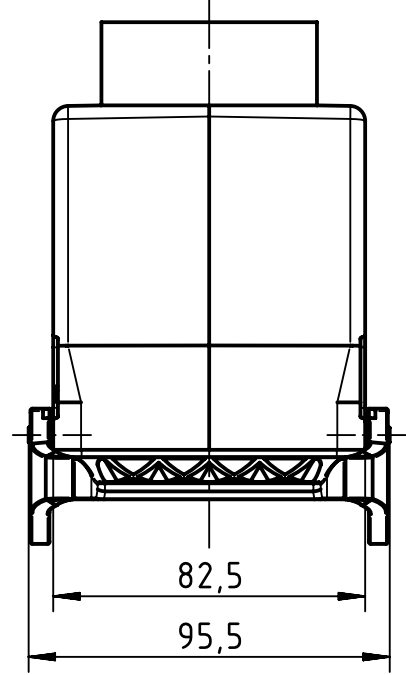
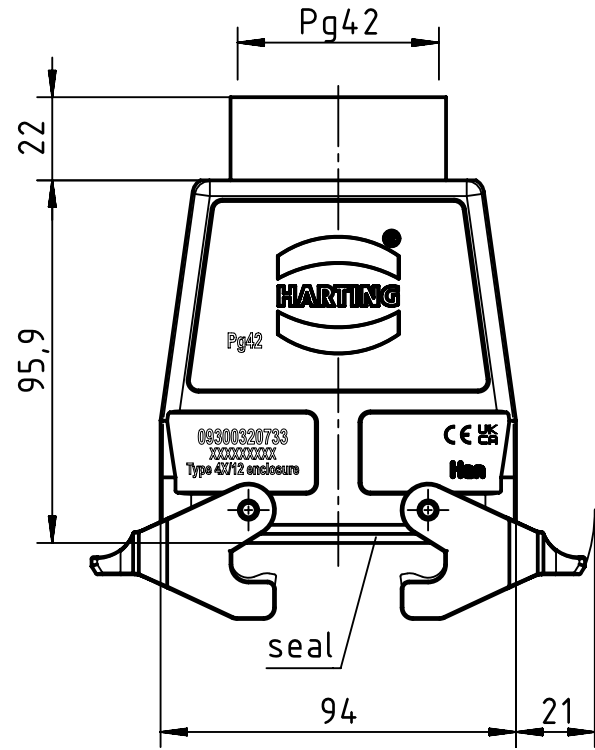
1 2 3 4 5 6

A

B

C

D



| | | | | | | | | |
|--|--|--|---------|-----------------------|-----------------|-----------------|--|----------|
| | All Dimensions in mm Original Size DIN A4 | Scale 1:2 | | | Free size tol. | | Ref. | |
| | | Created by 105230 | | Inspected by GERB | Standardisation | Date 2023-11-30 | State Final Release | |
| | All rights reserved Department EL PD | Title Han B Hood Coupler HC 2 Levers PG 42 | | | | | Doc-Key / ECM-Nr. 100186126/UGD/004/E 500000258564 | |
| | | HARTING D-32339 Espelkamp | Type TB | Number 09 30 032 0733 | | | Rev. E | Page 1/1 |