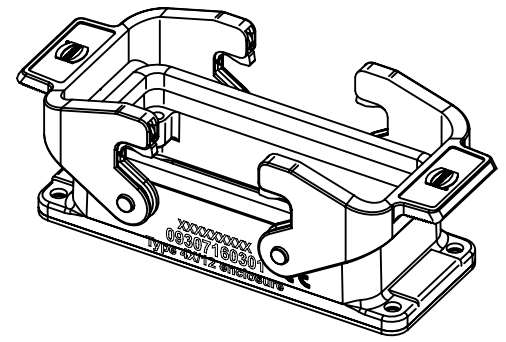
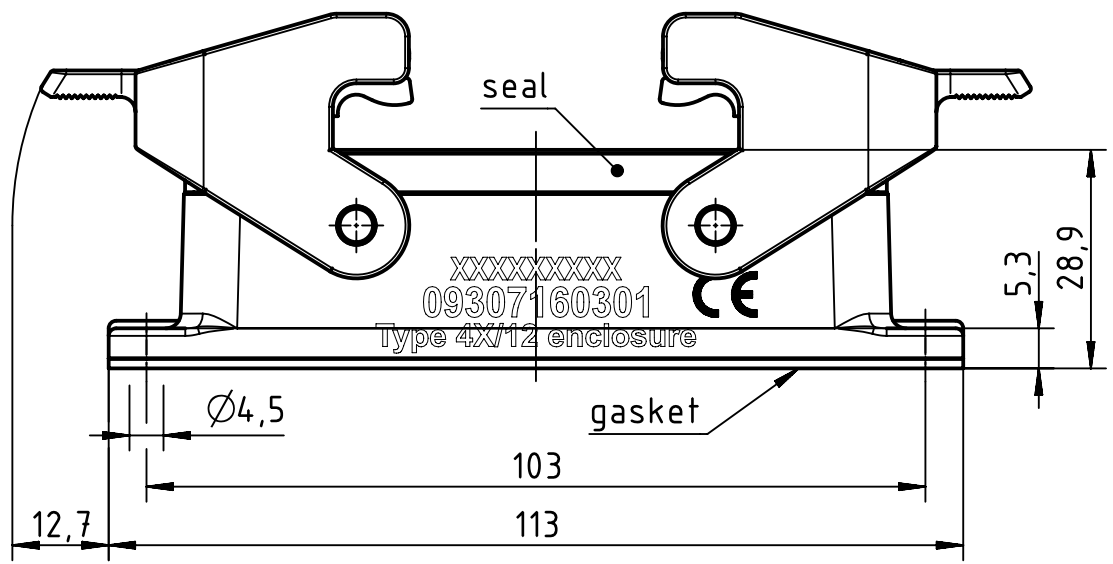
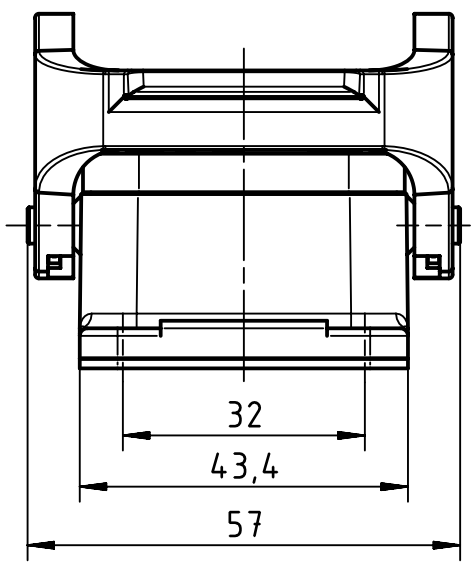
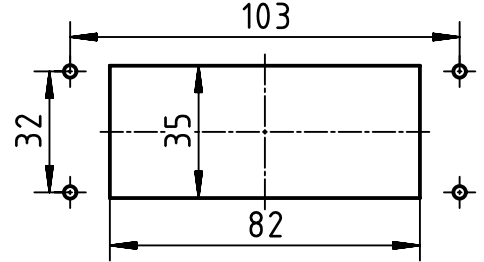


1 2 3 4 5 6

A  
B  
C  
D



(1:2) panel cut out



	All Dimensions in mm Original Size DIN A4	Scale 1:1	Free size tol.		Ref.	
	All rights reserved Department EL PD	Created by HELLMANN	Inspected by GERB	Standardisation 302077	Date 2020-12-07	State Final Release
Title Han 16B-HBM double lever black					Doc-Key / ECM-Nr. 100196967/UGD/002/C 500000180025	
Type TB					Number 09 30 716 0301	
HARTING D-32339 Espelkamp					Rev. C	Page 1/1