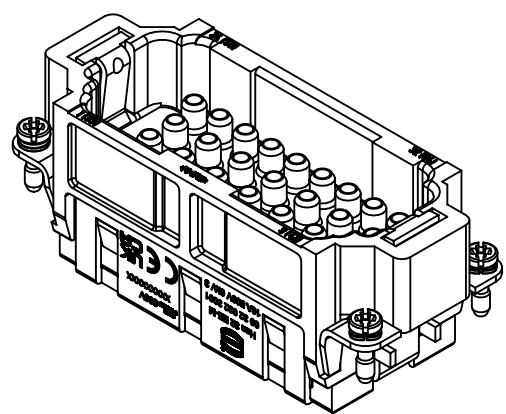
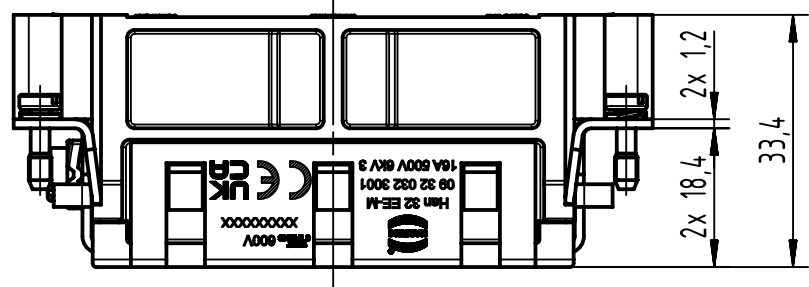
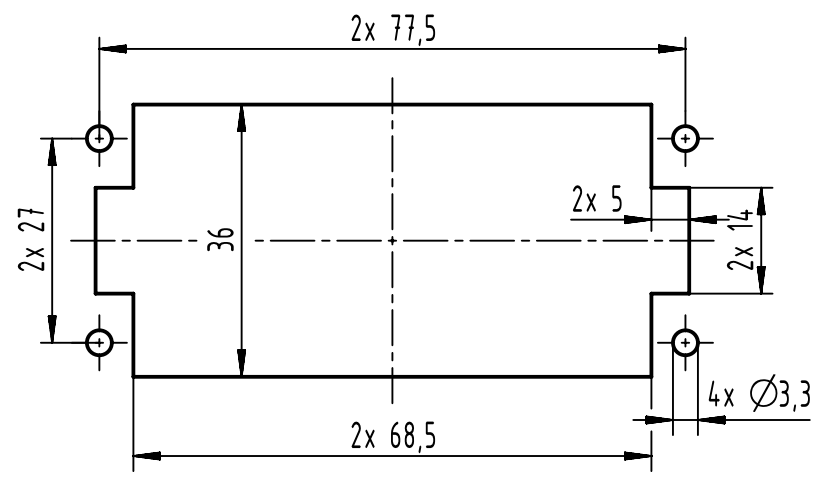


panel cut out



|   |   |  |                      |                                 |  |                    |
|---|---|--|----------------------|---------------------------------|--|--------------------|
|   | All rights reserved<br>Department EL PD | All Dimensions in mm<br>Original Size DIN A4 | Scale<br>1:1         | Free size tol.                  | Ref.<br>Sub.   |                    |
|   |   | HARTING<br>D-32339 Espelkamp                 | Created by<br>404440 | Inspected by<br>BALSAN          | Standardisation  | Date<br>2024-02-27 |
| Title<br><b>Han 32EE CRIMP TERM INSERT MALE</b> |   |  |                      |                                 | Doc-Key / ECM-Nr.<br>100129857/UGD/008/E<br>500000260221 |                    |
| Type<br><b>TB</b>                               |   |  |                      | Number<br><b>09 32 032 3001</b> | Rev.<br><b>E</b>   | Page<br>1/1        |