

## Han-Snap Standard Rail Fixing

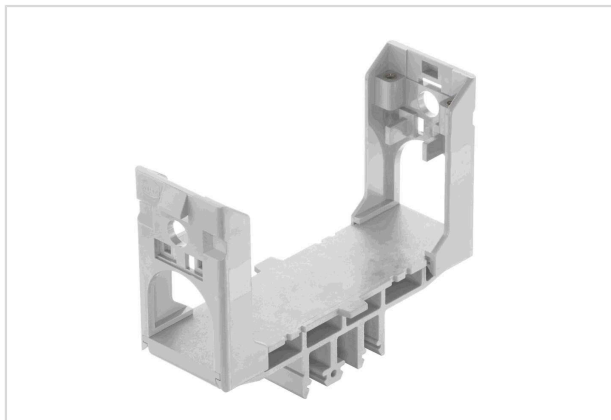


Image is for illustration purposes only. Please refer to product description.

Part number	09 33 000 9989
Specification	Han-Snap Standard Rail Fixing
HARTING eCatalogue	<a href="https://b2b.harting.com/09330009989">https://b2b.harting.com/09330009989</a>

### Identification

Category	Accessories
Series	Han-Snap®
Type of accessory	Insert mounting
Description of the accessory	With carrier element Type 6/24

### Version

Pack contents	2 insert mounting parts 1 carrier element
---------------	--

### Technical characteristics

Tightening torque	0.8 Nm
Limiting temperature	-40 ... +125 °C
Retention force	≥450 N On rail

### Material properties

Material (accessories)	Polycarbonate (PC)
Colour (accessories)	RAL 7032 (pebble grey)
Material flammability class acc. to UL 94	V-0
RoHS	compliant with exemption
RoHS exemptions	6(c): Copper alloy containing up to 4 % lead by weight
ELV status	compliant with exemption
China RoHS	50
REACH Annex XVII substances	Not contained



Pushing Performance  
Since 1945

## Material properties

REACH ANNEX XIV substances	Not contained
REACH SVHC substances	Yes
REACH SVHC substances	Potassium 1,1,2,2,3,3,4,4,4-nonafluorobutane-1-sulphonate Lead
ECHA SCIP number	b51e5b97-eeb5-438b-8538-f1771d43c17d
California Proposition 65 substances	Yes
California Proposition 65 substances	Lead
Fire protection on railway vehicles	EN 45545-2 (2020-08)
Requirement set with Hazard Levels	R22 (HL 1-3) R23 (HL 1-3)

## Specifications and approvals

Specifications	IEC 60068-2-6 Vibration (sinusoidal) IEC 60068-2-27 Shock
----------------	--

## Commercial data

Packaging size	10
Net weight	50 g
Country of origin	Germany
European customs tariff number	85389099
GTIN	5713140050662
ETIM	EC002310
eCl@ss	27440210 Fixing element for industrial connectors