

Han ES 6B PE-CC Male

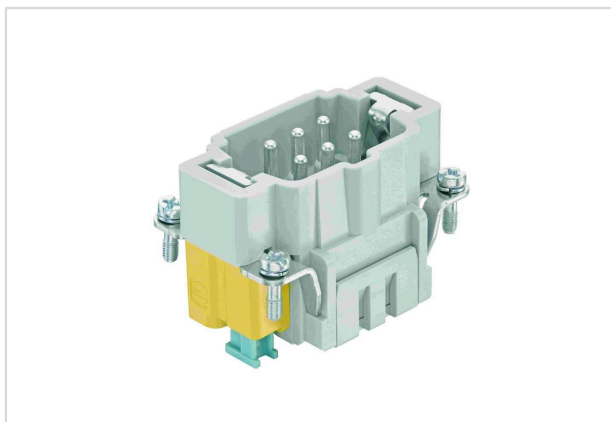


Image is for illustration purposes only. Please refer to product description.

Part number	09 33 006 2676
Specification	Han ES 6B PE-CC Male
HARTING eCatalogue	https://b2b.harting.com/09330062676

Identification

Category	Inserts
Series	Han [®] ES
Specification	Cage clamp termination for PE connection

Version

Termination method	Cage-clamp termination
Gender	Male
Size	6 B
Number of contacts	6
PE contact	Yes

Technical characteristics

Conductor cross-section	0.14 ... 2.5 mm ²
Conductor cross-section	AWG 26 ... AWG 14
Rated current	16 A
Rated voltage	500 V
Rated impulse voltage	6 kV
Pollution degree	3
Rated voltage acc. to UL	600 V
Rated voltage acc. to CSA	600 V
Insulation resistance	>10 ¹⁰ Ω
Contact resistance	≤3 mΩ
Stripping length	7 ... 9 mm



Pushing Performance
Since 1945

Technical characteristics

Limiting temperature	-40 ... +125 °C
Mating cycles	≥500

Material properties

Material (insert)	Polycarbonate (PC)
Colour (insert)	RAL 7032 (pebble grey)
Material (contacts)	Copper alloy
Surface (contacts)	Silver plated
Material flammability class acc. to UL 94	V-0
RoHS	compliant
ELV status	compliant
China RoHS	e
REACH Annex XVII substances	Not contained
REACH ANNEX XIV substances	Not contained
REACH SVHC substances	Yes
REACH SVHC substances	Potassium 1,1,2,2,3,3,4,4,4-nonafluorobutane-1-sulphonate

Specifications and approvals

Specifications	IEC 60664-1 IEC 61984
UL / CSA	UL 1977 ECBT2.E235076 UL 2237 PVVA2.E318390 CSA-C22.2 No. 182.3 PVVA8.E318390
Approvals	DNV GL

Commercial data

Packaging size	1
Net weight	51.1 g
Country of origin	China
European customs tariff number	85366990
GTIN	5713140186057
ETIM	EC000438
eCl@ss	27440205 Contact insert for industrial connectors