

1 2 3 4 5 6

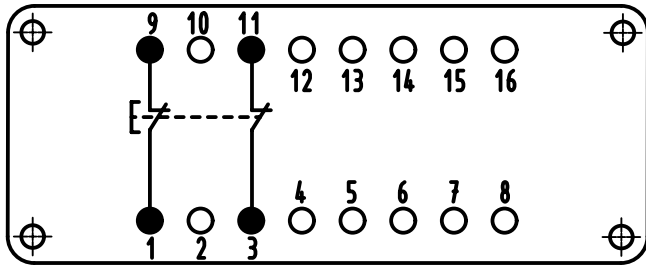
A

B

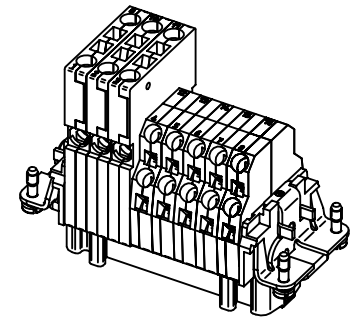
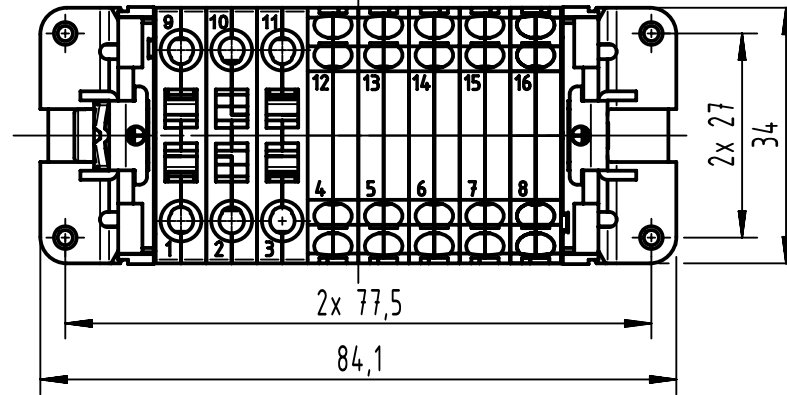
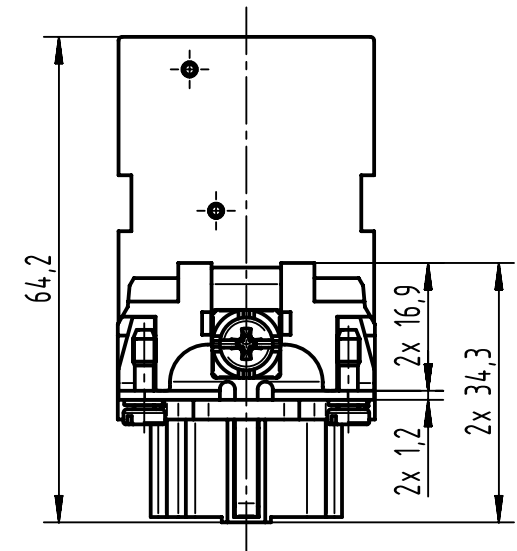
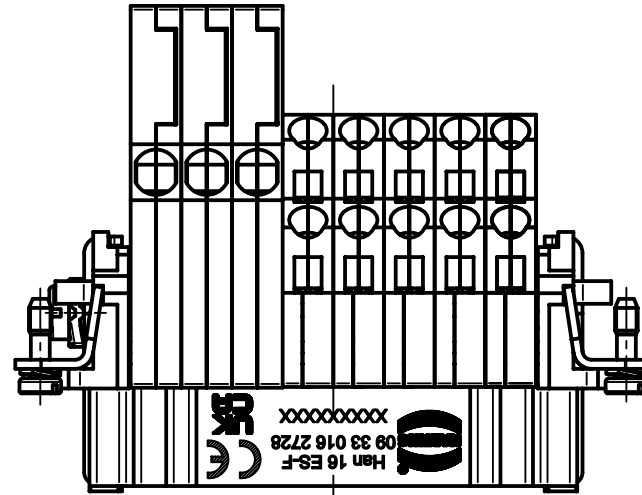
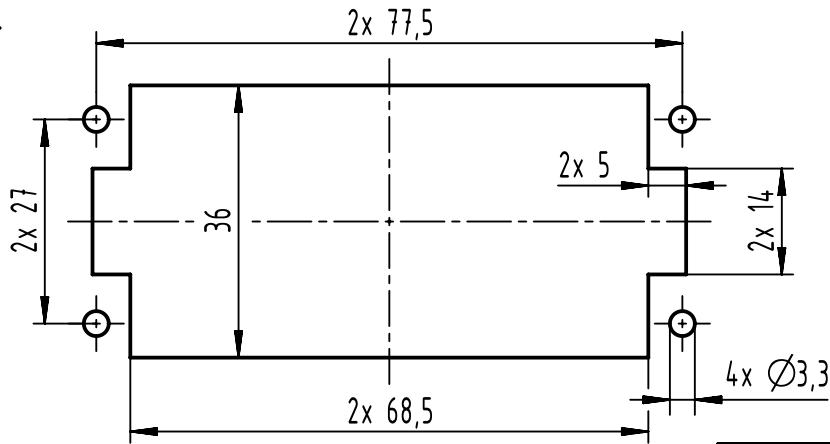
C

D

wiring diagram



panel cut out



	All rights reserved Department EL PD	All Dimensions in mm Original Size DIN A4		Scale 1:1	Free size tol.	Ref.
		HARTING D-32339 Espelkamp	Created by BALSAN	Inspected by 402602	Standardisation	Date 2021-11-05
Title Han ES 16 Pos. F Insert Cage Clamp Term						Doc-Key / ECM-Nr. 100130092/UGD/003/E 500000204239
Type TB				Number 09 33 016 2728		Rev. E
						Page 1/1