

1 2 3 4 5 6

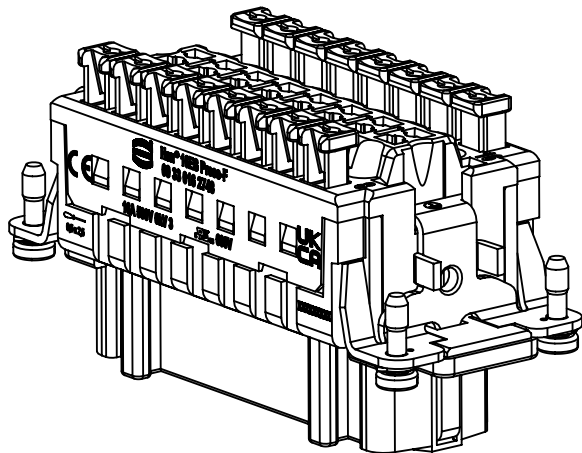
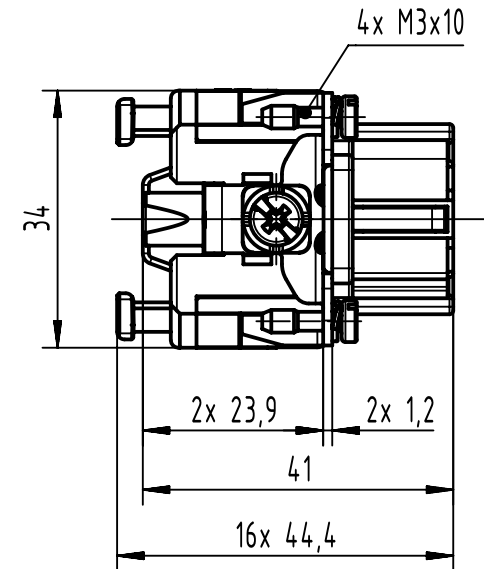
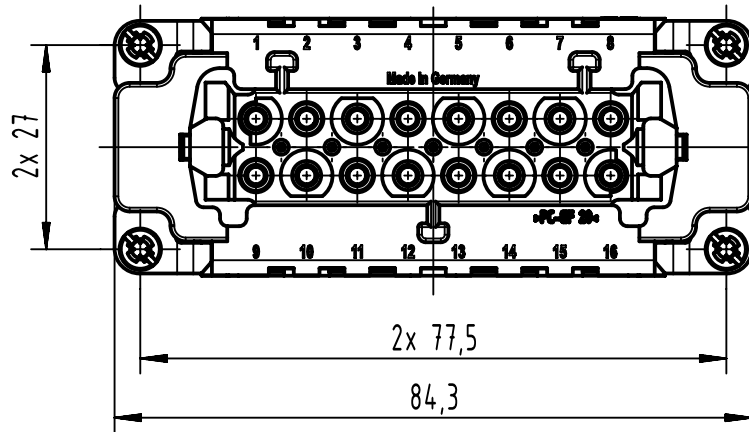
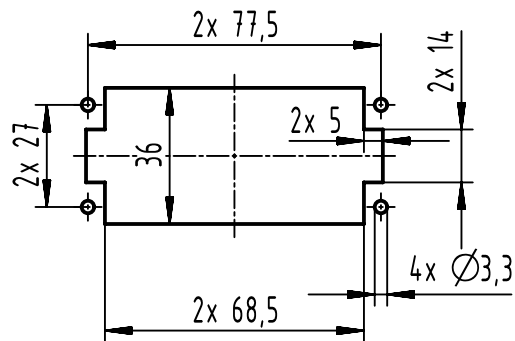
A

B

C

D

panel cut out
(1:2)



	All Dimensions in mm Original Size DIN A4		Scale 1:1	Free size tol.		Ref.
						Sub.
	All rights reserved		Created by HELLMANN	Inspected by SCHNIEDER	Standardisation	Date 2024-02-21
	Department EL PD					State Final Release
HARTING D-32339 Espelkamp			Title Han 16ES Press-F		Doc-Key / ECM-Nr. 100616954/UGD/001/G 500000262513	
			Type TB	Number 09 33 016 2748		Rev. G
					Page 1/1	