

1 2 3 4 5 6

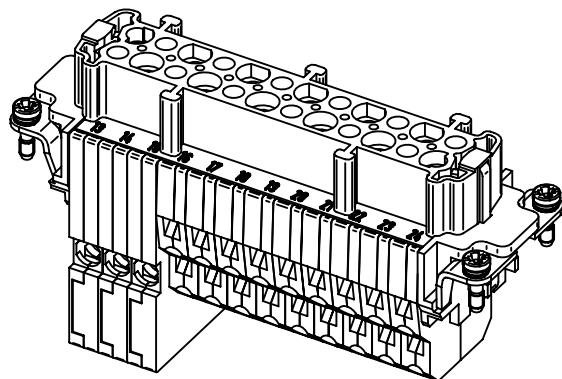
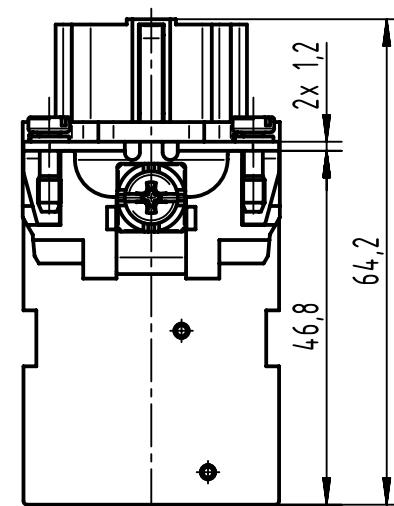
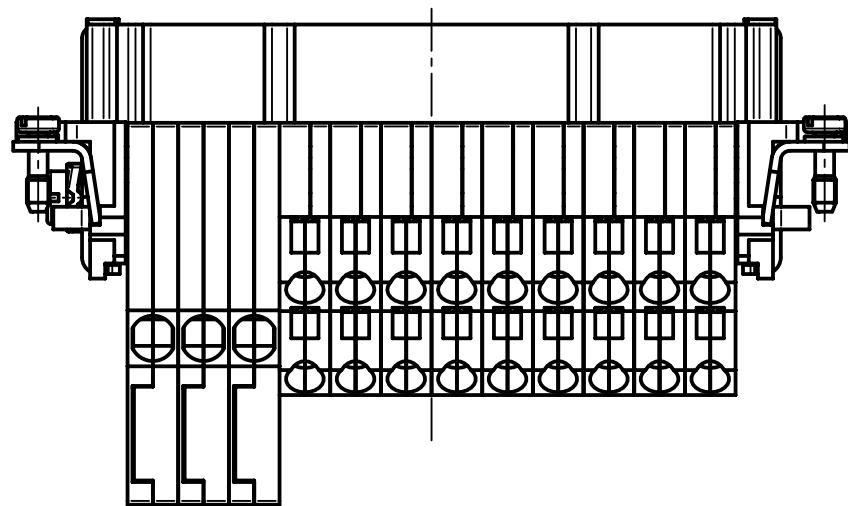
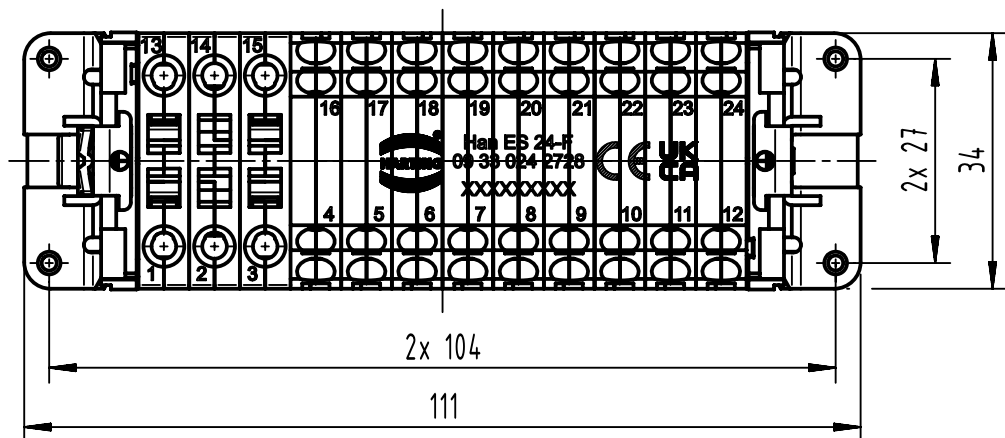
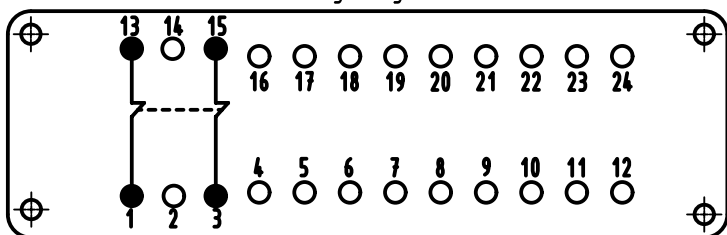
A

B

C

D

wiring diagram



	All rights reserved Department EL PD	All Dimensions in mm Original Size DIN A4		Scale 1:1	Free size tol.	Ref.	
		Created by BALSAN	Inspected by 402602	Standardisation	Date 2021-11-05	State Final Release	
HARTING D-32339 Espelkamp		Title Han 24ESS-F w. mech. Relay Contacts				Doc-Key / ECM-Nr. 100183511/UGD/005/C 500000204240	
		Type TB	Number 09 33 024 2728			Rev. C	Page 1/1