

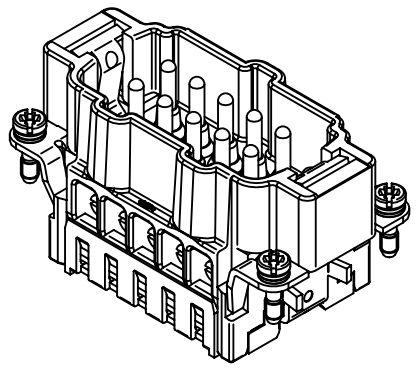
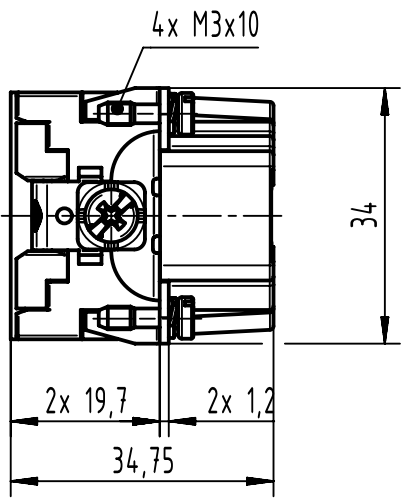
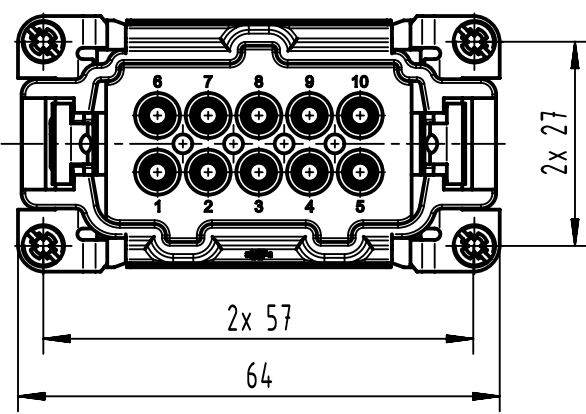
1 2 3 4 5 6

A

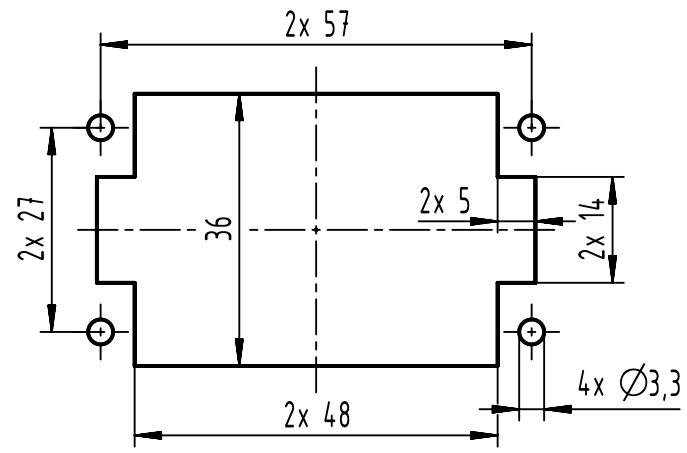
B


C

D



panel cut out



	All Dimensions in mm Original Size DIN A4		Scale 1:1	Free size tol.		Ref.
	All rights reserved Department EL PD		Created by 402918	Inspected by 402602	Standardisation	Sub.
HARTING D-32339 Espelkamp		Title Han High Temp 10E-s Male			Date 2021-11-09	State Final Release
					Doc-Key / ECM-Nr. 100620323/UGD/001/B 500000204.755	Rev. B
			Type TB	Number 09 33 810 2603		Page 1/1