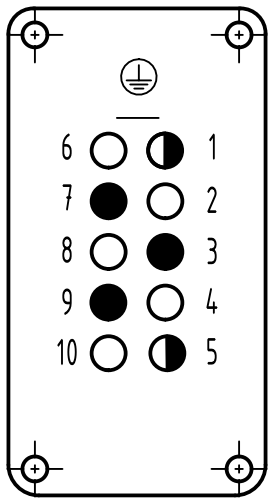
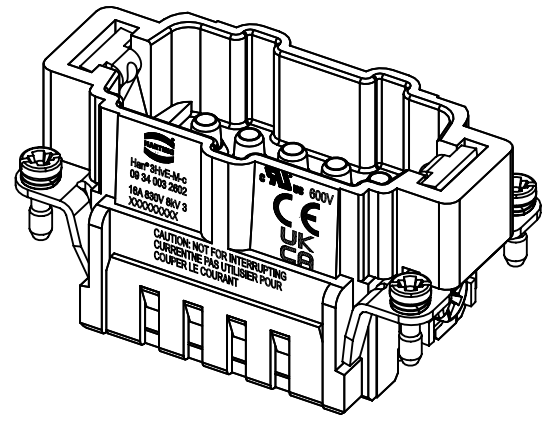
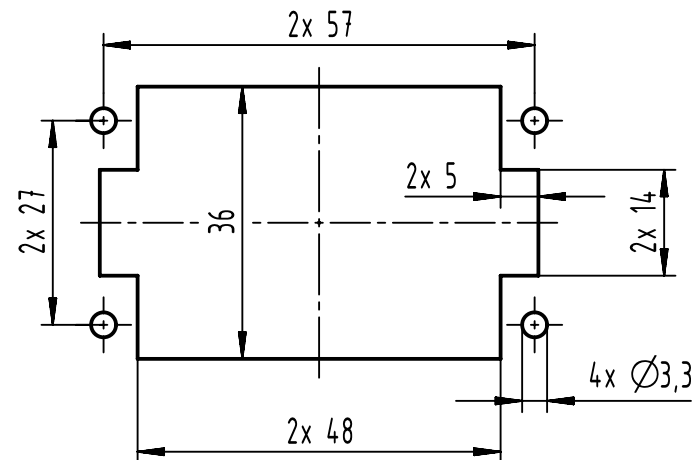
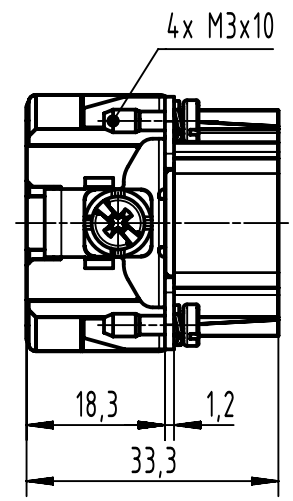
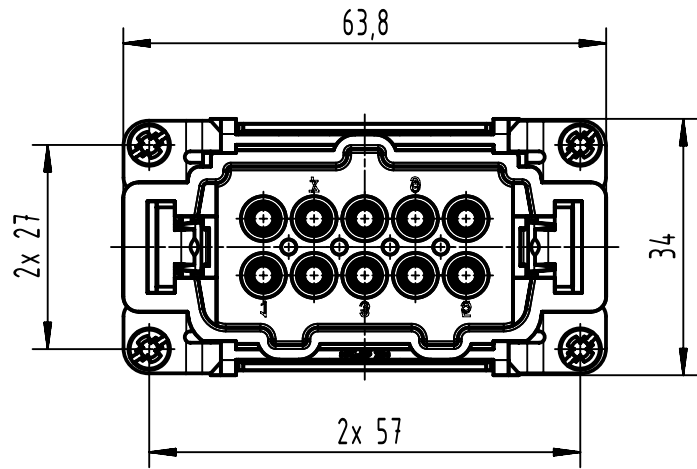


1 2 3 4 5 6

contact arrangement  
(view from termination side)



- working contacts
- ◐ relay contacts
- without contacts



	All rights reserved Department EL PD	All Dimensions in mm Original Size DIN A4		Scale 1:1	Free size tol.	Ref.
		Created by HOLLERT	Inspected by SCHNIEDER	Standardisation	Date 2023-11-22	State Final Release
HARTING D-32339 Espelkamp		Title Han 3HvE-M-c			Doc-Key / ECM-Nr. 100118144/UGD/005/C 500000258080	
		Type TB	Number 09 34 003 2602		Rev. C	Page 1/1