

1 2 3 4 5 6

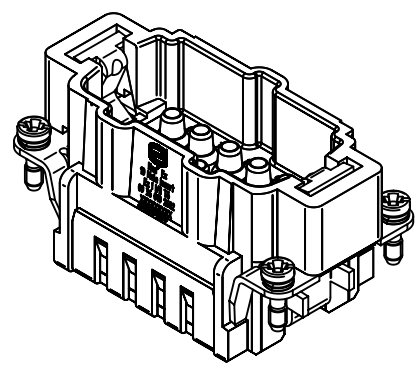
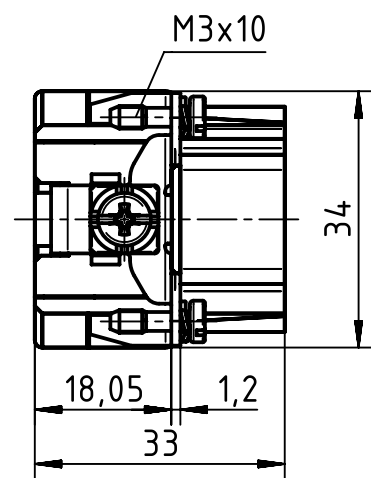
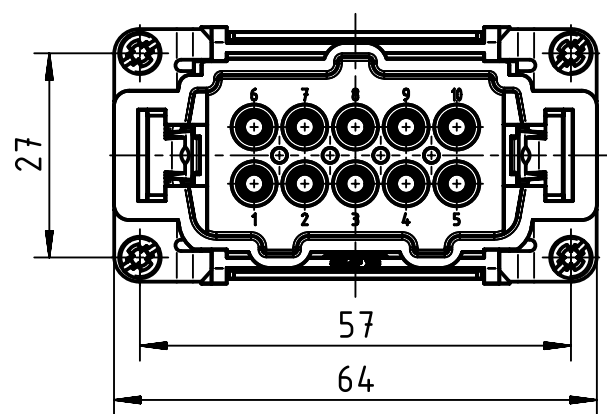
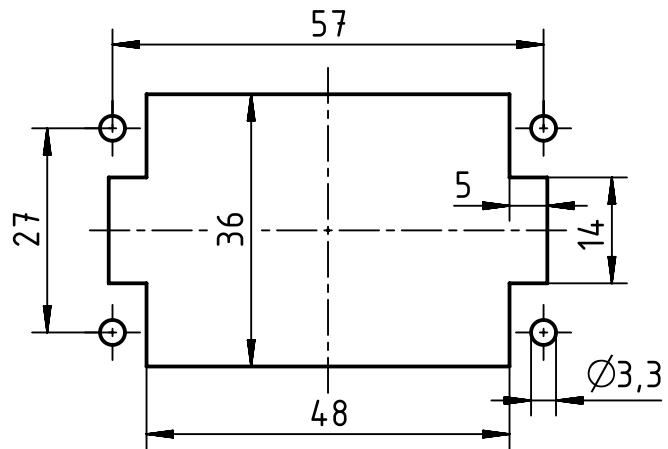
A


B

C

D

panel cut out



	All Dimensions in mm Original Size DIN A4		Scale 1:1		Free size tol.		Ref.			
	All rights reserved Department EL PD - DE		Created by HELLMANN		Inspected by BERGHORN		Standardisation TIEMANNA			
HARTING Electric GmbH & Co. KG D-32339 Espelkamp		Title Han 10Ex-M-c					Date 2017-04-27		State Final Release	
		Type TB					Number 09 36 010 2602		Doc-Key / ECM-Nr. 100619244/UGD/001/B 500000116479	
							Rev. B		Page 1/1	