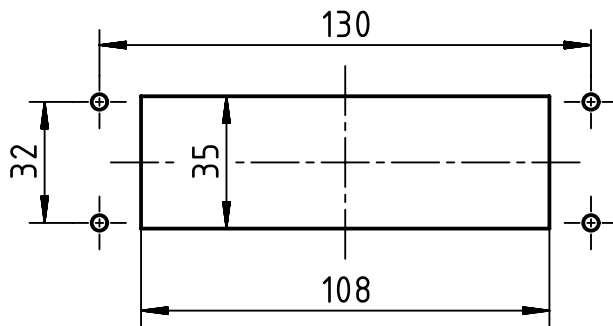
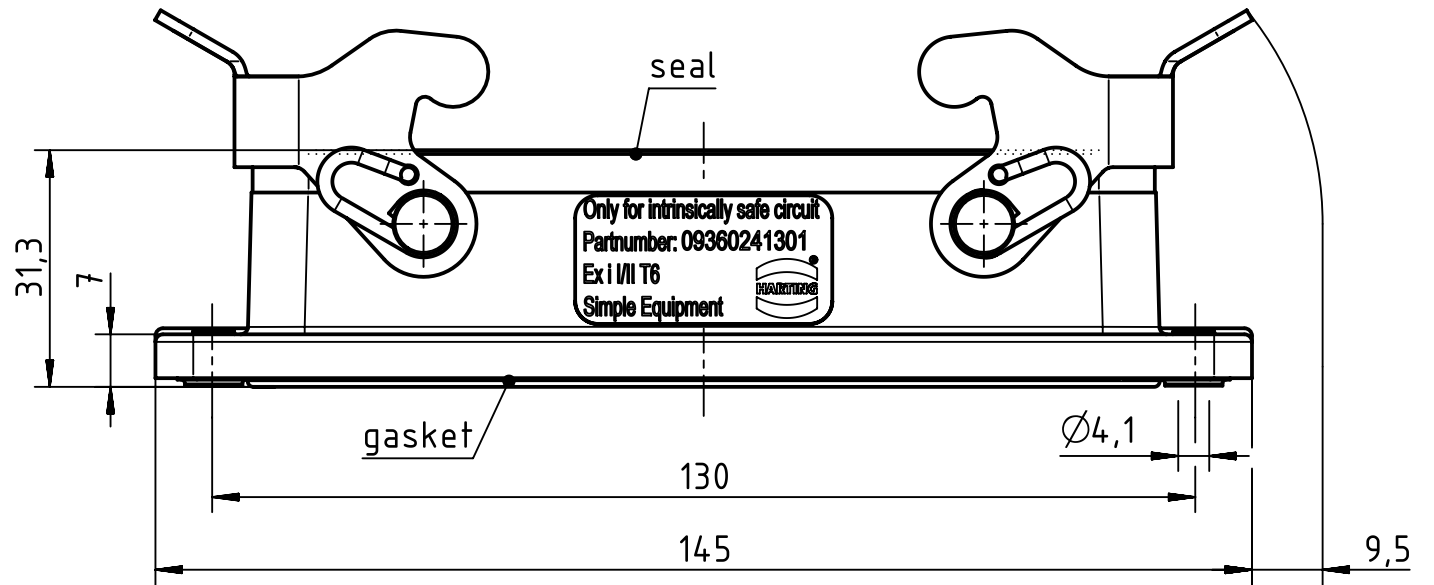


panel cut out (1:2)



	All rights reserved Department EL PD HARTING Electric GmbH & Co. KG D-32339 Espelkamp	All Dimensions in mm Original Size DIN A4	Scale 1:1 Free size tol.	Ref. Sub.
		Created by ZENGQ Inspected by LUOK Standardisation TIEMANNA	Date 2018-11-15 State Final Release	
Title Han 24B Ex-HBM-Double Lever			Doc-Key / ECM-Nr. 100589138/UGD/002/C 500000143398	
Type TB		Number 09 36 024 1301		Rev. C Page 1/1