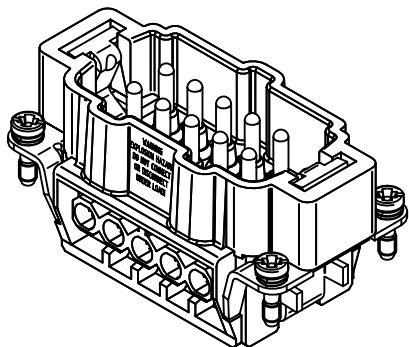
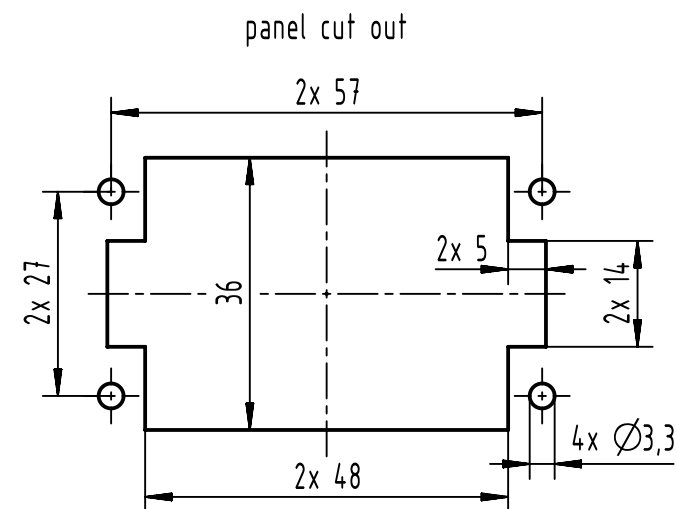


FOR USE WITH HAN 10E SCREW: AWG 14  
 FOR USE WITH Cable Type:  
 PLTC, PLTC-ER, ITC, ITC-ER, MC, MV, AND TC  
 FOR USE IN CLASS I, DIVISION 2 GROUPS A, B, C AND D  
 HAZARDOUS LOCATIONS OR UNCLASSIFIED LOCATIONS

THE INSTALLATION MUST BE IN ACCORDANCE WITH THE ASSOCIATED LOCATION RESTRICTIONS OF THE NATIONAL ELECTRIC CODE OR CANADIAN ELECTRICAL CODE AS APPLICABLE, INCLUDING ISSUES SUCH AS THE ROUTING, SUPPORT AND LENGTH OF THE INVOLVED CORD OR CABLE.

WARNING  
 EXPLOSION HAZARD  
 DO NOT CONNECT  
 OR DISCONNECT  
 UNDER LOAD!



	All Dimensions in mm Original Size DIN A4		Scale 1:1	Free size tol.		Ref.	
						Sub.	
	All rights reserved		Created by HELLMANN	Inspected by SCHNIEDER	Standardisation SAP_WFRT	Date 2022-06-03	
	Department EL PD					State Final Release	
HARTING			Title Han 10Ex UL-M-s			Doc-Key / ECM-Nr. 100669628/UGD/001/F 500000218293	
D-32339 Espelkamp			Type TB	Number 09 36 510 2601			
						Rev. F	Page 1/1