

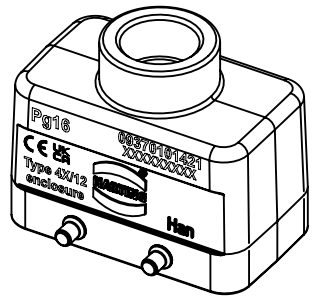
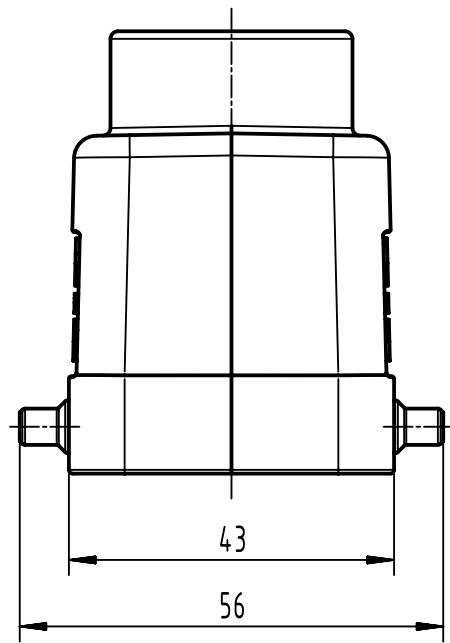
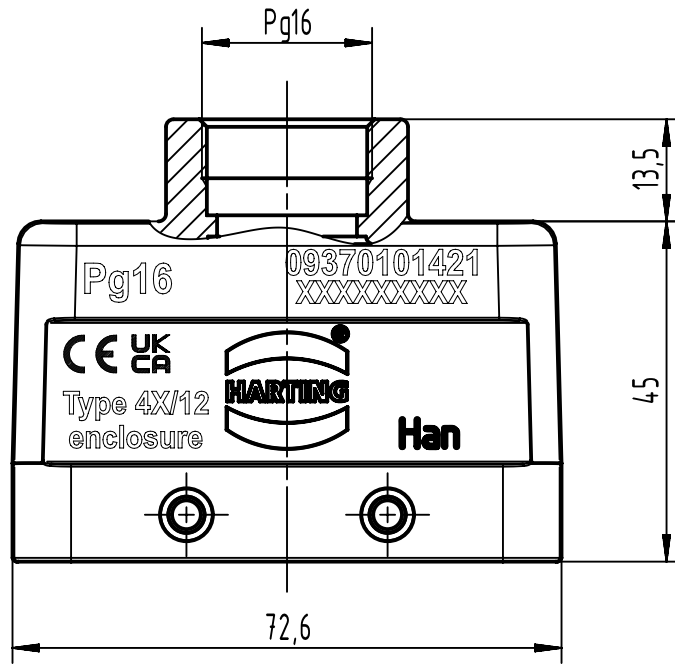
1 2 3 4 5 6

A

B

C

D



	All Dimensions in mm Original Size DIN A4		Scale 1:1	Free size tol.		Ref.		
						Sub.		
	All rights reserved		Created by HELLMANN	Inspected by GERB	Standardisation	Date 2023-11-22	State Final Release	
	Department EL PD		Title Han M Hood Top Entry LC 4 Pegs PG 16				Doc-Key / ECM-Nr. 100192228/UGD/004/F 500000257719	
HARTING D-32339 Espelkamp			Type TB	Number 09 37 010 1421			Rev. F	Page 1/1