

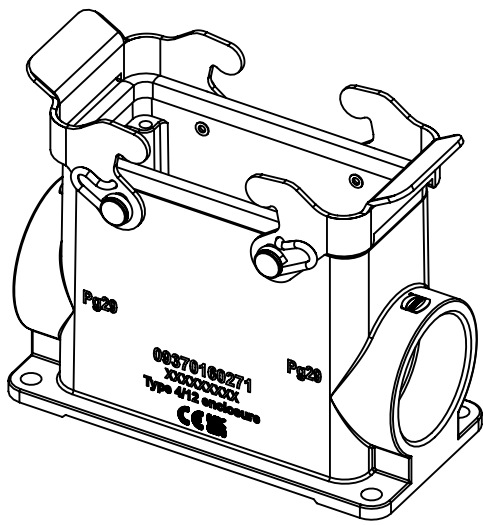
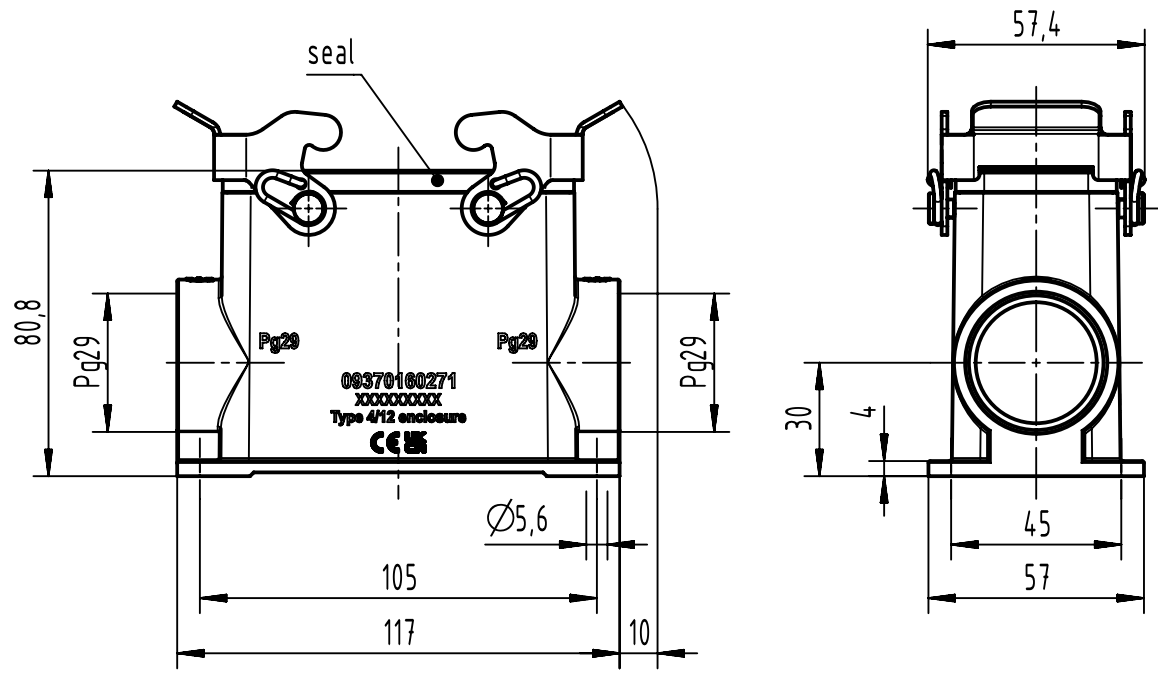
1 2 3 4 5 6

A

B

C

D



	All Dimensions in mm Original Size DIN A4		Scale 1:2	Free size tol.		Ref.
						Sub.
	All rights reserved		Created by HELLMANN	Inspected by GERB	Standardisation	Date 2023-12-14
	Department EL PD		Title Han M Base Surface HC 2 Levers 2 Entries			State Final Release
HARTING D-32339 Espelkamp			Type TB	Number 09 37 016 0271		Doc-Key / ECM-Nr. 100212267/UGD/004/E 500000258066
					Rev. E	Page 1/1