

1 2 3 4 5 6

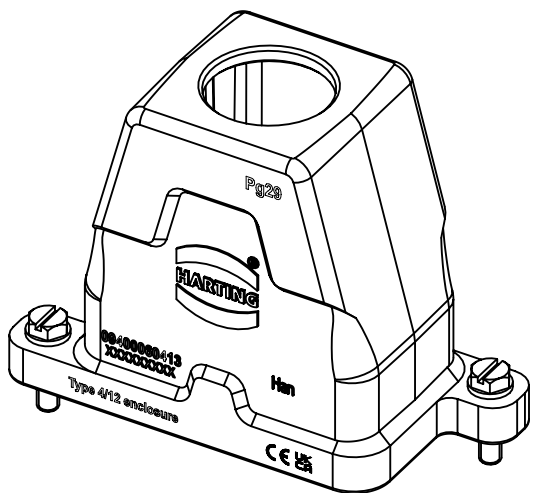
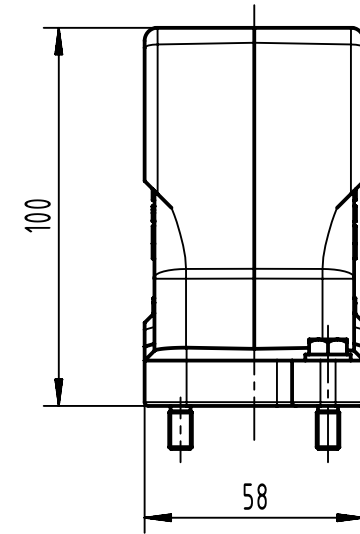
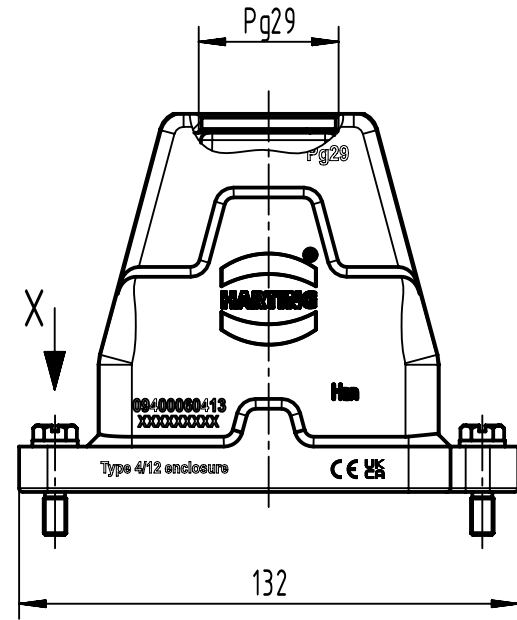
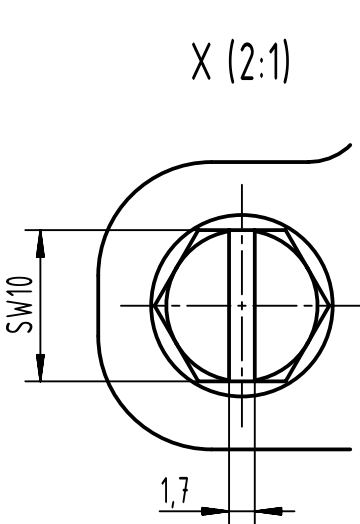
A

B

C

D

X (2:1)



| | | | | | | |
|-------------------|--|--|--|--------------------------|-----------------|--|
| | All Dimensions in mm Original Size DIN A4 | | Scale 1:2 | Free size tol. | | Ref. |
| | | | | | | Sub. |
| | All rights reserved | | Created by DEIMEL | Inspected by 100219 | Standardisation | Date 2024-03-07 |
| | Department EL PD | | | | | State Final Release |
| HARTING | | | Title Han 6HPR Hood Top Entry PG29 Screw lock | | | Doc-Key / ECM-Nr. 100208601/UGD/004/F 500000265117 |
| D-32339 Espelkamp | | | Type TB | Number 09 40 006 0413 | | |
| | | | | | | Page 1/1 |